



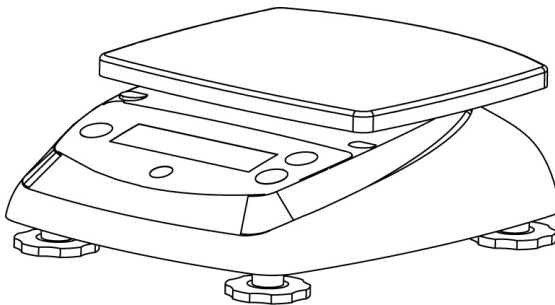
**Valor™ 3000 Series
Instruction Manual**

**Serie Valor™ 3000
Manual de instrucciones**

**Valor™ série 3000
Manuel d'instructions**

**Valor™ 3000-Serie
Bedienungsanleitung**

**Serie Valor™ 3000
Manuale di istruzioni**



1. INTRODUCTION

This manual contains installation, operation and maintenance instructions for the Valor™ 3000 Series Scales. Please read the manual completely before using the scale.

1.1 Safety Precautions

Please follow these safety precautions:

- Verify that the AC Adapter input voltage matches the local AC power supply.
- Use the scale only in dry locations.
- Do not operate the scale in hostile environments.
- Do not drop loads on the platform.
- Do not place the scale upside down on the pan.
- Service should be performed only by authorized personnel.

1.2. Controls

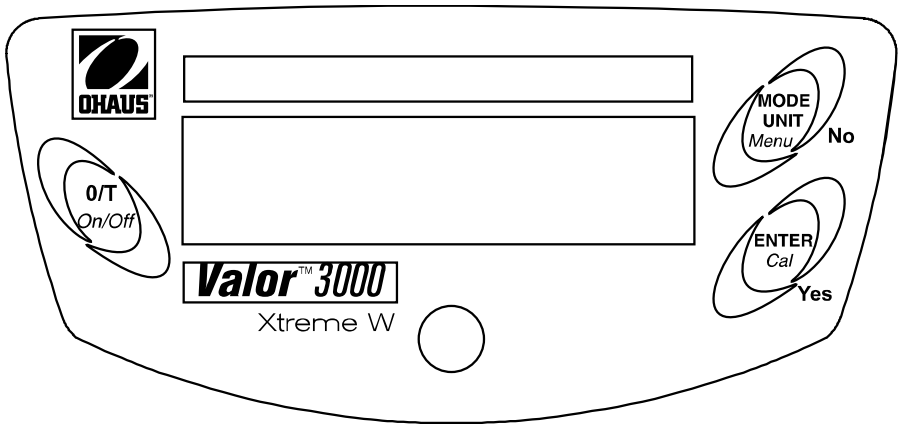


Figure 1-1. Controls.

TABLE 1-1. CONTROL FUNCTIONS.

Button	Functions
O/T On/Off	Short Press: (when off) Turns scale on (when on) Sets display to zero Tares weight of item on pan Long Press: Turns the scale off
MODE/UNIT Menu	Short Press Steps through active units and modes Long Press: Enters menu Short Press (Menu) "No" (toggles through available settings)
ENTER Cal	Short Press: Stores 100% reference in % mode Stores reference sample in SG mode Long Press Initiates span calibration process Short Press(Menu) "Yes" (selects/accepts displayed setting)

2. INSTALLATION

2.1 Package Contents

- Scale
- Pan
- Power Adapter
- Instruction Manual
- Warranty Card

2.2. Location

Use the scale on a firm, steady surface. Avoid locations with excessive air current, vibrations, heat sources, or rapid temperature changes. Adjust the leveling feet so the bubble is centered in the circle.

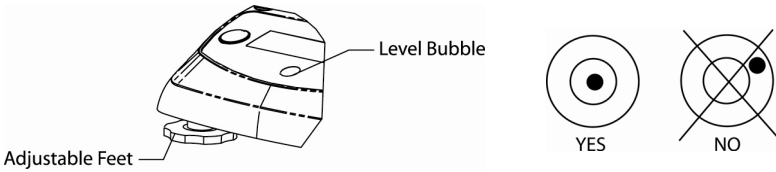


Figure 2-1. Leveling the Scale.

2.3. Transport lock

Open the battery cover. Move the transport lock switch to “Unlock” position. Install 4 C (LR14) batteries, if desired. Reinstall the battery cover

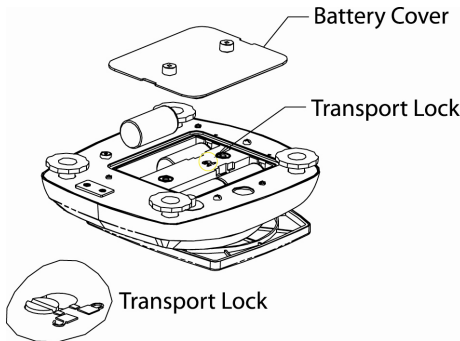


Figure 2-2. Battery Installation.

2.4 Power

The AC adaptor (included) may be used to power the scale when battery power is not available. Remove the rubber seal in the bottom. Store it in the location provided. Connect the AC adaptor plug to the input jack.

NOTE: To prevent water ingress during cleaning, insert back rubber seal into the input jack recess.

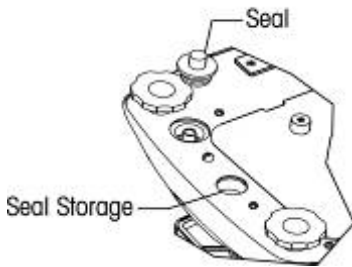


Figure 2-3. Power Connection and Sealing.

2.5 Initial Calibration

When the scale is first installed, it should be calibrated to ensure accurate weighing results.

Press and hold the **ENTER/Cal** button until CAL is displayed. When the button is again pressed and released, the display shows -C- while zero reading is stored. Next, the display shows the calibration weight value in grams. Place the specified calibration weight (sold separately) on the pan. See Table 2-1 for appropriate weights. The display shows -C- while the reading is stored. The display returns to the previous application mode and scale is ready for use.

TABLE 2-1. CALIBRATION WEIGHTS.

MODELS					
	V31XH202	V31XH402	V31XH2	V31XH4	V31X501
Calibration Weights	200g	400 g	2 kg	4 kg	500 g
MODELS					
	V31X3	V31X6	V31XW301	V31XW3 / V31X3N	V31XW6 / V31X6N
Calibration Weights	3 kg	6 kg	300 g	3 kg	6 kg

3. OPERATION

3.1 Weighing Mode

Use this mode to measure the weight of a sample in the selected unit of measure.

1. Press **MODE/UNIT/Menu** until the desired unit icon is displayed.
2. Put an empty container on the pan, then press **O/T/On/Off** to tare the container weight.
3. Add material to the container. The display shows the weight of the material.

3.2 Percent Mode

Use this mode to measure the weight of a sample as a percentage of a reference weight.

1. Press **MODE/UNIT/Menu** until Set.rEF and the % icon are displayed.
2. Press **No** to use the reference weight in memory and proceed to step 6.
3. Press **Yes** to establish a new reference. Scale display will now blink until reference is stored.
4. Put an empty container on the pan, then press **O/T/On/Off** to tare the container weight.
5. Add the desired amount of material to the container, then press **ENTER/Cal** to store the displayed weight. The display shows 100%.
6. Replace the reference material with new material. The display shows the percentage of the sample compared to reference weight.

3.3 Specific Gravity Mode

Use this mode to measure the specific gravity of a sample.

1. Press **MODE/UNIT/Menu** until Set.rEF and the S icon are displayed.
2. Press **No** to use the reference weight in memory and proceed to step 6.
3. Press **Yes** to establish a new reference weight. Scale display will now blink until reference is stored.
4. Put an empty container on the pan, then press **O/T/On/Off** to tare the container weight.
5. Fill the container with water, then press **ENTER/Cal** to store the displayed weight. The display shows the water weight with the S icon blinking.
6. Replace the water with the same volume of sample material, then press **ENTER/Cal**. The display shows the specific gravity of the sample.

3.4 Fluid Ounce Mode

Use this mode to measure the fluid ounce volume of a sample.

1. Press **MODE/UNIT/Menu** until the FL icon is displayed.
2. Put an empty container on the pan, then press **O/T/On/Off** to tare the container weight.
3. Fill the container with sample material. The display shows the volume of the sample.

4. SETTINGS

The Menu allows the user to customize scale settings.

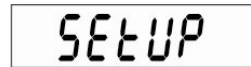
4.1 Menu Navigation

Press and hold **MODE/UNIT/Menu** button until SETUP is displayed, then release it. Press **Yes** to enter the displayed menu. or press **No** to advance to the next menu. Once in the menu, press **Yes** to view the menu item setting or press **No** to move to the next menu item. When viewing the setting, press **Yes** to accept the setting, or press **No** to change the setting. When End is displayed, press **Yes** to advance to the next menu or **No** to return to the top of the current menu.

4.2 Setup Menu

STABILITY RANGE

Set the stability range to 0.5d, **1d**, 2d or 5d (divisions).

A rectangular digital display showing the word "SETUP" in a large, black, monospace font.A rectangular digital display showing the word "STAB" in a large, black, monospace font.

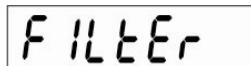
AUTO ZERO TRACKING RANGE

Set the automatic zero tracking range to OFF, **0.5d**, 1d, 3d (divisions).

A rectangular digital display showing "A2t" in a large, black, monospace font.

FILTER LEVEL

Set the filter level to LO (low), **ME** (medium), or HI (high).

A rectangular digital display showing the word "FILTER" in a large, black, monospace font.

BACK LIGHT

Set the back light functionality to OFF (always off), ON (always on) or **Auto** (turns on when a key is pressed or the displayed weight changes).

A rectangular digital display showing "L16Ht" in a large, black, monospace font.

AUTO OFF

Set the automatic shut off functionality to **ON** (shut off after 5 minutes) or OFF (stays on).

A rectangular digital display showing "A OFF" in a large, black, monospace font.

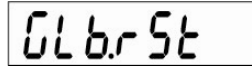
POWER ON UNIT

Set the unit of measure displayed at startup to g, kg, lb, oz or lb:oz.



GLOBAL RESET

Select YES (reset menus to factory defaults) or NO (do not reset).

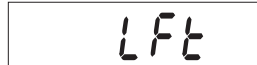


Units will be set to factory defaults.

Menu	Default
Stability Range	1d
Auto zero Tracking	0.5d
Filter Level	ME
Back Light	Auto
Auto off	On

LEGAL FOR TRADE

This menu item is only included in models V31XW301, V31XW3, V31XW6, V31X3N and V31X6N. Refer to Section 5 for details.



Set the legal for trade operation to ON or **OFF**.

NOTE: When Legal For Trade is set to ON, the Menu settings are affected as follows:

- Calibration is disabled and hidden.
- The Stability range setting is locked at the 1d setting and hidden.
- The Auto Zero Tracking range setting is locked at the 0.5d setting and hidden.
- The Power On Unit is locked at its current setting and hidden.
- The Filter setting is locked at its current setting and hidden.
- The Backlight setting is unlocked and visible.
- The Auto Off setting is unlocked and visible.
- The Global reset setting is locked at the NO setting and hidden.
- The Kilogram, Gram, Pound and Ounce units are locked at their current setting (ON or OFF) and hidden.
- The Pound:Ounce and Fluid Ounce units are locked at the OFF setting and hidden.
- The Percent mode is locked at its current setting (ON or OFF) and hidden.
- The Specific Gravity mode is locked at the OFF setting and hidden.

NOTE: When Legal for Trade is set to ON, it is necessary to set the security switch to ON before exiting the menu. If the security switch is not set to ON, the message "SW.OFF" is displayed and the indicator returns to the menu.

END

Advance to the Unit/Mode menu (Yes) or back to Setup (No).

4.3 Unit/Mode Menu

GRAM UNIT

Set grams ON or OFF.

A rectangular digital display showing the text "ON" in a large, bold, sans-serif font, with a small "g" to its right.

KILOGRAM UNIT

Set kilograms ON or OFF.

A rectangular digital display showing the text "OFF" in a large, bold, sans-serif font, with a small "kg" to its right.

POUND UNIT

Set pounds ON or OFF.

A rectangular digital display showing the text "OFF" in a large, bold, sans-serif font, with a small "lb" to its right.

OUNCE UNIT

Set ounces ON or OFF. If ON is selected, set DEC (decimal ounces) or FrA (fractional ounces)

A rectangular digital display showing the text "OFF" in a large, bold, sans-serif font, with a small "oz" to its right.

POUND OUNCE UNIT

Set pound ounces ON or OFF. If On is selected, set DEC (decimal ounces) or FrA (fractional ounces)

A rectangular digital display showing the text "OFF" in a large, bold, sans-serif font, with a small "lbOz" to its right.

FLUID OUNCE MODE

Set fluid ounces ON or OFF.

A rectangular digital display showing the text "OFF" in a large, bold, sans-serif font, with a small "FL" to its right.

PERCENT MODE

Set percent ON or OFF.

A rectangular digital display showing the text "OFF" in a large, bold, sans-serif font, with a small "%" to its right.

SPECIFIC GRAVITY MODE

Set specific gravity ON or OFF.

A rectangular digital display showing the text "OFF" in a large, bold, sans-serif font, with a small "S" to its right.

END

Exit to the previous Unit/Mode (Yes) or g (No).

5. LEGAL FOR TRADE

When model V31XW301, V31XW3, V31XW6, V31X3N or V31X6N is used in trade or a legally controlled application it must be set up, verified and sealed in accordance with local weights and measures regulations. It is the responsibility of the purchaser to ensure that all pertinent legal requirements are met.

5.1 Settings

Before verification and sealing, perform the following steps:

- Set the Security Switch to the OFF position.
- Set LFT to OFF under Setup menu.
- Calibrate the scale.
- Enter the Units menu.
- Set the desired units of measure to ON.
- Exit the Units menu.
- Enter the Setup menu.
- Set the desired Filter level.
- Set the desired Power On Unit.
- Set LFT to ON.
- Set the Security Switch to ON.
- Exit the Setup menu.

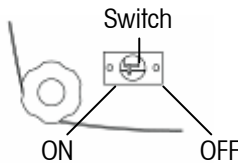


Figure 5-1. Security Switch Settings

5.2 Verification

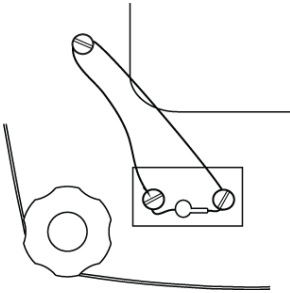
The local weights and measures official or authorized service agent must perform the verification procedure.

5.3 Sealing

The local weights and measures official or authorized service agent must apply a security seal to prevent tampering with the settings. Refer to the illustrations below for sealing methods.

Wire Seal

Remove the spacers under the cross drilled screws. Re-install the screws and feed the wire through the cross drilled holes.



Paper Seal

Place the paper seals over the screws and sealing spacers.

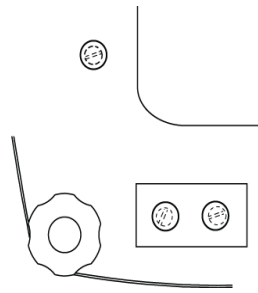


Figure 5-2. Sealing methods.

6. MAINTENANCE

6.1 Troubleshooting

The following table lists common problems and possible causes and remedies. If the problem persists, contact Ohaus or your authorized dealer.

TABLE 6-1. TROUBLESHOOTING.

Symptom	Possible Cause	Remedy
Cannot turn on	No power to scale	Verify connections and voltage.
Poor accuracy	Improper calibration • Unstable environment	Perform calibration • Move scale to suitable location
Cannot calibrate	Unstable environment • Incorrect calibration weight	Move the scale to suitable location • Use correct calibration weight
Cannot access mode	Mode not enabled	Enter menu and enable mode
Cannot access unit	Unit not enabled	Enter menu and enable unit
Err 8.1	Pan has load during power on	Remove weight from pan and re-zero.
Err 8.2	Pan was removed prior to power on	Install pan and re-zero.
OVER	Weight on pan exceeds capacity	Remove weight from the pan
UNDER	Pan was removed during weighing	Re-install pan
Err 9	Factory calibration data corrupted	Contact Ohaus or an authorized service agent • Perform service calibration
REF Err	Reference Weight is too small	Use larger sample
LOWrEF	Reference Weight is too low for accurate percent weighing.	Continue to weigh with less accurate results

6.2 Service Information

If the troubleshooting section does not resolve or describe your problem, contact your authorized Ohaus service agent. For service assistance or technical support in the United States call toll-free 1-800-526-0659 between 8:00 AM and 5:00 PM EST. An Ohaus product service specialist will be available to provide assistance. Outside the USA, please visit our web site, www.ohaus.com to locate the Ohaus office nearest you.

7. TECHNICAL DATA

The technical data is valid under the following ambient conditions:

Ambient temperature: 0°C to 40°C

Relative humidity: 10% to 95% relative humidity, non-condensing

Height above sea level: Up to 4000 m

Operability is assured at ambient temperatures between 0°C and 40°C

Power: AC adaptor 9VDC @ 1.2A max. output

Protection: Protected against dust and water

Pollution degree: 2

Installation category: Class III

EMC: See Declaration of Conformity

7.1 Specifications

TABLE 7-1. SPECIFICATIONS

Model	V31XH202	V31XH402	V31XH2	V31XH4	V31X501
Capacity	200	400	2000	4000	500
Repeatability (g)	0.01		0.1		
Linearity (g)	±0.01		±0.1		
Approval Class	-				
Ingress Protection	-				
Weighing Units	g, kg, lb, oz, lb:oz				
Application Modes	Weigh, Percent weighing, Specific Gravity, Fluid Ounces				
Tare range	To capacity by subtraction				
Stabilization Time	≤3 seconds				
Power Requirements	9 VDC @ 1.2A max. AC adaptor (supplied) or 4 C (LR14) batteries (not supplied)				
Calibration	Digital with external weight				
Display Type	6-digit 7-segment LCD with white LED backlight				
Display Size	15 mm / 0.6" digits				
Keypad	3-button overlay				
Pan Size (mm / in)	120 / 4.7		146 x 158 / 5.7 x 6.2		120 / 4.7
Net Weight (kg / lb)	1.2 / 2.6		1.3 / 2.9		1.2 / 2.6
Shipping Weight (kg/lb)	2.0 / 4.3		2.1 / 4.6		2.0 / 4.3

TABLE 7-1. SPECIFICATIONS

Model	V31X3	V31X6	V31XW301	V31XW3/ V31X3N	V31XW6/ V31X6N
Capacity	3000	6000	300	3000	6000
Repeatability (g)	1		0.2	1	2
Linearity (g)	±1		±0.2	±1	±2
Approval Class	-		III		
Ingress Protection	-		IP65 / *		
Weighing Units	g, kg, lb, oz, lb:oz				
Application Modes	Weigh, Percent weighing, Specific Gravity, Fluid Ounces				
Tare range	To capacity by subtraction				
Stabilization Time	≤3 seconds				
Power Requirements	9 VDC @ 1.2A max. AC adaptor (supplied) or 4 C (LR14) batteries (not supplied)				
Calibration	Digital with external weight				
Display Type	6-digit 7-segment LCD with white LED backlight				
Display Size	15 mm / 0.6" digits				
Keypad	3-button overlay				
Pan Size (mm / in)	146 x 158 / 5.7 x 6.2				
Net Weight (kg / lb)	1.3 / 2.9		1.4 / 3.1		
Shipping Weight (kg/lb)	2.1 / 4.6		2.2 / 4.8		

* Models V31X3N and V31X6N are not rated IP65

7.2. Capacity and Readability

TABLE 7-2. CAPACITY AND READABILITY

UNITS	SECURITY SWITCH	MODELS				
		V31XH202	V31XH402	V31XH2	V31XH4	V31X501
g	ON	NA	NA	NA	NA	NA
	OFF	200.00 x 0.01	400.00 x 0.01	2000.0 x 0.1	4000.0 x 0.1	500.0 x 0.1
kg	ON	NA	NA	NA	NA	NA
	OFF	0.20000 x 0.00001	0.40000 x 0.00001	2.0000 x 0.0001	4.0000 x 0.0001	0.5000 x 0.0001
oz	ON	NA	NA	NA	NA	NA
	OFF	7.0550 x 0.0005	14.1095 x 0.0005	70.550 x 0.005	141.095 x 0.005	17.635 x 0.005
lb	ON	NA	NA	NA	NA	NA
	OFF	0.44090 x 0.00005	0.88185 x 0.00005	4.4090 x 0.0005	8.81850 x 0.0005	1.1025 x 0.0005
lb:oz	ON			NA	NA	NA
	OFF	NA	NA	4lb : 6.55 oz x 0.01 oz	8lb : 13.10 oz x 0.01 oz	1lb : 1.64 oz x 0.01 oz
oz (fra)	ON	NA	NA	NA	NA	NA
	OFF	7 x 1/8	14 1/8 x 1/8	70 1/2 x 1/8	141 1/8 x 1/8	17 5/8 x 1/8
lb: oz (fra)	ON			NA	NA	NA
	OFF	NA	NA	4lb : 6 1/2 oz x 1/8 oz	8lb : 13 1/8 x 1/8 oz	1lb : 1 5/8 oz x 1/8 oz
fl	ON	NA	NA	NA	NA	NA
	OFF	6.7630 x 0.0005	13.5255 x 0.0005	67.630 x 0.005	135.255 x 0.005	16.905 x 0.005

TABLE 7-2. CAPACITY AND READABILITY

UNITS	SECURITY SWITCH	MODELS				
		V31X3	V31X6	V31XW301	V31XW3 / V31X3N	V31XW6 / V31X6N
g	ON	NA	NA	300.0 x 0.2	3000 x 1	6000 x 2
	OFF	3000 x 1	6000 x 1	300.0 x 0.1	3000.0 x 0.5	6000 x 1
kg	ON	NA	NA	0.3000 x 0.0002	3.000 x 0.001	6.000 x 0.002
	OFF	3.000 x 0.001	6.000 x 0.001	0.3000 x 0.0001	3.0000 x 0.0005	6.000 x 0.001
oz	ON	NA	NA	10.58 x 0.01	105.80 x 0.05	211.6 x 0.1
	OFF	105.80 x 0.05	211.65 x 0.05	10.585 x 0.005	105.80 x 0.02	211.60 x 0.05
lb	ON	NA	NA	0.6615 x 0.0005	6.615 x 0.005	13.225 x 0.005
	OFF	6.615 x 0.005	13.230 x 0.005	0.6615 x 0.0005	6.615 x 0.002	13.225 x 0.005
lb:oz	ON	NA	NA	NA	6 lb : 9.80 oz x 0.05 oz	13 lb : 3.6 oz x 0.1 oz
	OFF	6 lb : 9.80 oz x 0.05 oz	13lb : 3.65 oz x 0.05 oz	NA	6 lb : 9.80 oz x 0.02 oz	13 lb : 3.60 oz x 0.05 oz
oz (fra)	ON	NA	NA	10 ½ x 1/8	105 ½ x 1/8	211 ½ x 1/8
	OFF	105 ½ x 1/8	211 ½ x 1/8	10 ½ x 1/8	105 ½ x 1/8	211 ½ x 1/8
lb: oz (fra)	ON	NA	NA	NA	6lb : 9 ½ oz x 1/8oz	13 lb : 3 ½ oz x 1/8oz
	OFF	6lb : 9 ½ oz x 1/8 oz	13 lb : 3 ½ oz x 1/8 oz	NA	6lb : 9 ½ oz x 1/8 oz	13 lb : 3 ½ oz x 1/8 oz
fl	ON	NA	NA	10.14 x 0.01	101.45 x 0.05	202.9 x 0.1
	OFF	101.45 x 0.05	202.90 x 0.05	10.140 x 0.005	101.44 x 0.02	202.90 x 0.05

7.3 Drawings

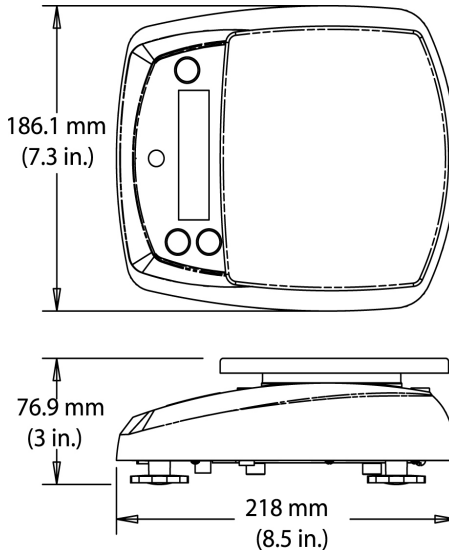


Figure 7-1. All Models except V31XH202, V31XH402, V31X501

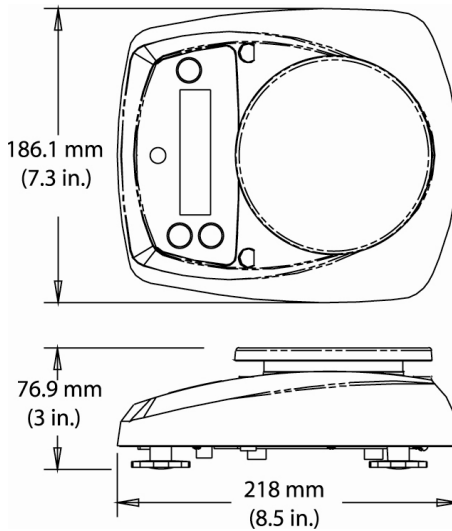


Figure 7-2. Models V31XH202, V31XH402, V31X501

Accessories

Slide accessories over the rear of the pan assembly and position them as shown in the illustration below.

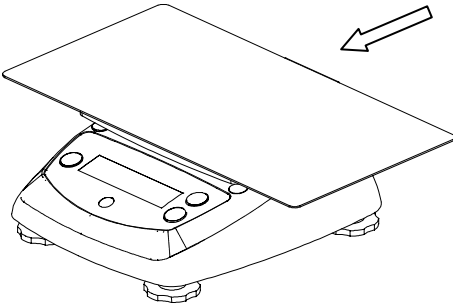


Figure 7-3. Sandwich pan

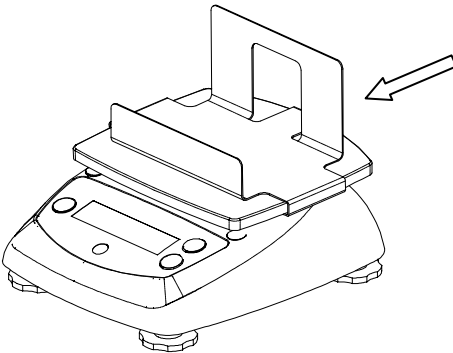


Figure 7-4. French fries holder

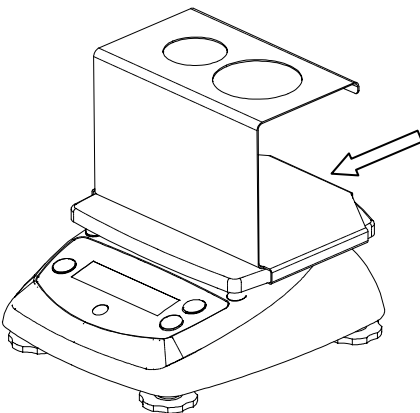






Figure 7-5. Ice cream cone holder

7.4 Compliance

Compliance to the following standards is indicated by the corresponding mark on the product.

Marking	Standard
	This product conforms to the EMC directive 2004/108/EC, the Low Voltage Directive 2006/95/EC and the Non-automatic Weighing Instruments Directive 90/384/EEC. The complete Declaration of Conformity is available from Ohaus Corporation.
	AS/NZS4251.1 Emission, AS/NZS4252.1 Immunity
	NSF/ANSI 169 – 2005
	NSF/ANSI /3-A 14159-1 - 2002

Important notice for verified weighing instruments



Weighing Instruments verified at the place of manufacture bear one of the preceding mark on the packing label and the green 'M' (metrology) sticker on the descriptive plate. They may be put into service immediately.



Weighing Instruments to be verified in two stages have no green 'M' (metrology) on the descriptive plate and bear one of the preceding identification mark on the packing label. The second stage of the initial verification must be carried out by the approved service organization of the authorized representative within the EC or by the national weight & measures (W+M) authorities.

The first stage of the initial verification has been carried out at the manufacturers work. It comprises all tests according to the adopted European standard EN 45501:1992, paragraph 8.2.2.

If national regulations limit the validity period of the verification, the user of the weighing instrument must strictly observe the re-verification period and inform the respective W+M authorities.

Disposal

In conformance with the European Directive 2002/96 EC on Waste Electrical and Electronic Equipment (WEEE) this device may not be disposed of in domestic waste. This also applies to countries outside the EU, per their specific requirements.



Please dispose of this product in accordance with local regulations at the collecting point specified for electrical and electronic equipment.

If you have any questions, please contact the responsible authority or the distributor from which you purchased this device.

Should this device be passed on to other parties (for private or professional use), the content of this regulation must also be related.

Thank you for your contribution to environmental protection.

For disposal instructions in Europe, refer to www.ohaus.com/weee.

FCC Note

This equipment has been tested and found to comply with the limits for a Class B digital device, pursuant to Part 15 of the FCC Rules. These limits are designed to provide reasonable protection against harmful interference when the equipment is operated in a commercial environment. This equipment generates, uses, and can radiate radio frequency energy and, if not installed and used in accordance with the instruction manual, may cause harmful interference to radio communications. Operation of this equipment in a residential area is likely to cause harmful interference in which case the user will be required to correct the interference at his own expense.

Industry Canada Note

This Class B digital apparatus complies with Canadian ICES-003.

ISO 9001 Registration

In 1994, Ohaus Corporation, USA, was awarded a certificate of registration to ISO 9001 by Bureau Veritas Quality International (BVQI), confirming that the Ohaus quality management system is compliant with the ISO 9001 standard's requirements. On May 15, 2003, Ohaus Corporation, USA, was re-registered to the ISO 9001:2000 standard.

LIMITED WARRANTY

Ohaus products are warranted against defects in materials and workmanship from the date of delivery through the duration of the warranty period. During the warranty period Ohaus will repair, or, at its option, replace any component(s) that proves to be defective at no charge, provided that the product is returned, freight prepaid, to Ohaus. This warranty does not apply if the product has been damaged by accident or misuse, exposed to radioactive or corrosive materials, has foreign material penetrating to the inside of the product, or as a result of service or modification by other than Ohaus. In lieu of a properly returned warranty registration card, the warranty period shall begin on the date of shipment to the authorized dealer. No other express or implied warranty is given by Ohaus Corporation. Ohaus Corporation shall not be liable for any consequential damages.

As warranty legislation differs from state to state and country to country, please contact Ohaus or your local Ohaus dealer for further details.

1. INTRODUCCIÓN

Este manual contiene instrucciones de instalación, operación y mantenimiento para las básculas serie Valor™ 3000. Lea el manual completamente antes de usar la báscula.

1.1 Precauciones de seguridad

Siga estas precauciones de seguridad:

- Verifique que el voltaje del adaptador de corriente alterna coincida con la alimentación eléctrica local.
- Use la báscula sólo en lugares secos
- No opere la báscula en ambientes adversos
- No deje caer cargas sobre la plataforma de pesaje
- No coloque la báscula al revés sobre la bandeja
- El servicio debe proporcionarse solamente por personal autorizado

1.2. Controles

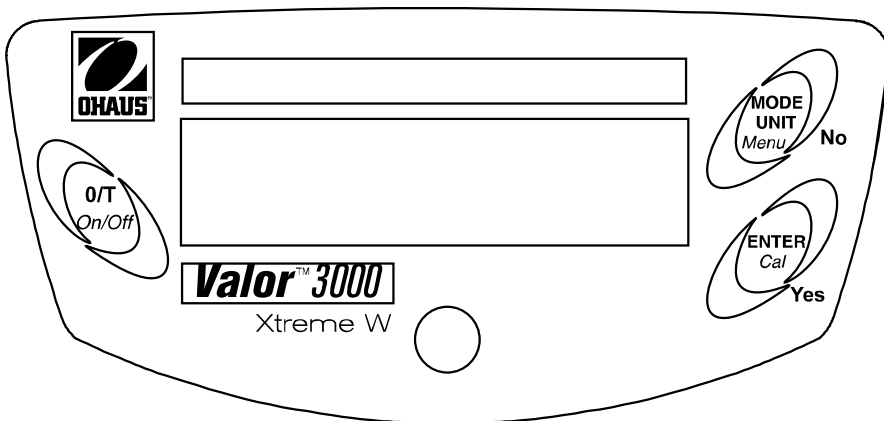


Figura 1-1. Controles.

TABLA 1-1. FUNCIONES DE CONTROL.

Botón	Funciones	
O/T On/Off	Presión corta: (en "off") (en "on")	Enciende la báscula Pone la pantalla en cero Tara el peso del artículo en la bandeja
	Presión larga:	Apaga la báscula
MODE/UNIT Menu	Presión corta Presión larga: Presión corta (Menu)	Recorre las unidades y modos activos Ingresa al menú "No" (alterna a través de las configuraciones disponibles)
ENTER Cal	Presión corta: Presión larga Presión corta (Menu)	Guarda referencias al 100% en modo de % Guarda la muestra de referencia en el modo SG Inicia el proceso de calibración de extensión "Yes" (selecciona/acepta la configuración mostrada)

2. INSTALACIÓN

2.1 Contenido del paquete

- Báscula
- Bandeja
- Adaptador de corriente
- Manual de instrucciones
- Tarjeta de garantía

2.2. Ubicación

Coloque la báscula sobre una superficie firme y estable. Evite lugares con exceso de corrientes de aire, vibraciones, fuentes de calor y cambios rápidos de temperatura. Ajuste las patas de nivelación para que la burbuja quede centrada en el círculo.

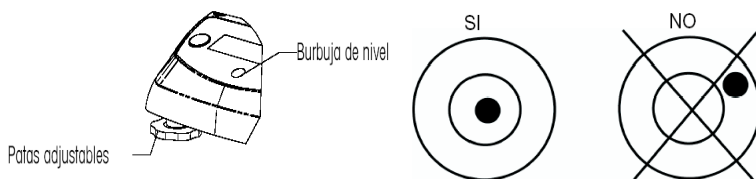


Figura 2-1. Nivelación de la báscula.

2.3. Seguro para transporte

Abra la tapa del compartimiento de baterías. Mueva el botón del seguro para transporte a la posición "Unlock" (destrabar). Instale 4 baterías C (LR14) si desea. Reinstale la tapa del compartimiento de baterías.

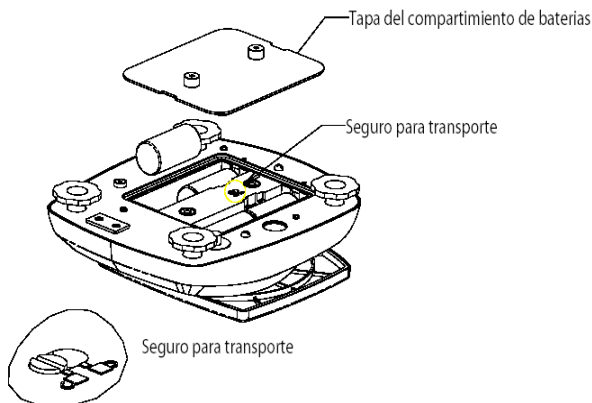


Figura 2-2. Instalación de las baterías.

2.4 Energía

El adaptador de corriente alterna (incluido) puede usarse para alimentar la báscula cuando no hay energía de baterías disponible. Retire el sello de goma de la parte inferior. Guárdelo en el lugar indicado. Conecte el adaptador de corriente en el enchufe.

NOTA: Para evitar la entrada de agua durante la limpieza, inserte nuevamente el sello de goma en el enchufe.

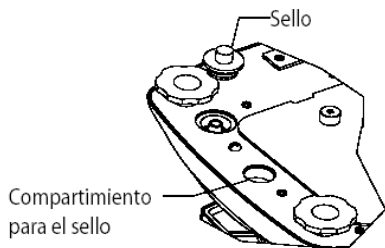


Figura 2-3. Conexión de la energía y sellado.

2.5 Calibración inicial

Cuando se instala la báscula por primera vez, debe calibrarse para asegurar resultados de pesaje exactos.

Presione y sostenga el botón **ENTER/Cal** hasta que aparezca CAL. Cuando se vuelve a presionar el botón y se suelta, la pantalla muestra -C- mientras se guarda la lectura de cero. A continuación, la pantalla muestra el valor del peso de calibración en gramos. Coloque el peso de calibración especificado (vendido por separado) sobre la bandeja. Consulte los pesos adecuados en la Tabla 2-1. La pantalla muestra -C- mientras se guarda la lectura. La pantalla regresa al modo de aplicación previo y la báscula está lista para usarse.

TABLA 2-1. PESOS DE CALIBRACIÓN.

MODELOS					
	V31XH202	V31XH402	V31XH2	V31XH4	V31X501
Pesos de calibración	200g	400 g	2 kg	4 kg	500 g
MODELOS					
	V31X3	V31X6	V31XW301	V31XW3 / V31X3N	V31XW6 / V31X6N
Pesos de calibración	3 kg	6 kg	300 g	3 kg	6 kg

3. OPERACIÓN

3.1 Modo de pesaje

Use este modo para medir el peso de una muestra en la unidad de medida seleccionada.

1. Presione **MODE/UNIT/Menu** hasta que aparezca el símbolo de la unidad deseada.
2. Coloque un recipiente vacío sobre la bandeja y presione **O/T/On/Off** para tarar el peso de dicho recipiente.
3. Agregue material al recipiente. La pantalla muestra el peso del material.

3.2 Modo de porcentaje

Use este método para medir el peso de una muestra como porcentaje del peso de referencia.

1. Presione **MODE/UNIT/Menu** hasta que aparezcan los símbolos Set.Ref y %.
2. Presione **"No"** para usar el peso de referencia en la memoria y proceda con el paso 6.
3. Presione **"Yes"** para establecer una nueva referencia. La pantalla destellará ahora hasta que se guarde la referencia.
4. Coloque un recipiente vacío sobre la bandeja y presione **O/T/On/Off** para tarar el peso de dicho recipiente.
5. Agregue la cantidad deseada de material al recipiente y presione **ENTER/Cal** para guardar el peso mostrado. La pantalla muestra 100%.
6. Reemplace el material de referencia con material nuevo. La pantalla muestra el porcentaje de la muestra comparada con el peso de referencia.

3.3 Modo de gravedad específica

Use este modo para medir la gravedad específica de una muestra.

1. Presione **MODE/UNIT/Menu** hasta que aparezcan los símbolos Set.Ref y S.
2. Presione **"No"** para usar el peso de referencia en la memoria y proceda con el paso 6.
3. Presione **"Yes"** para establecer un nuevo peso de referencia. La pantalla destellará ahora hasta que se guarde la referencia.
4. Coloque un recipiente vacío sobre la bandeja y presione **O/T/On/Off** para tarar el peso de dicho recipiente.
5. Llene el recipiente con agua y luego presione **ENTER/Cal** para guardar el peso mostrado. La pantalla muestra el peso del agua con el símbolo S destellando.
6. Reemplace el agua con el mismo volumen de material de muestra y luego presione **ENTER/Cal**. La pantalla muestra la gravedad específica de la muestra.

3.4 Modo de onza líquida

Use este modo para medir el volumen en onzas líquidas de la muestra.

1. Presione **MODE/UNIT/Menu** hasta que aparezca el símbolo FL.
2. Coloque un recipiente vacío sobre la bandeja y presione **O/T/On/Off** para tarar el peso de dicho recipiente.
3. Llene el recipiente con material de muestra. La pantalla muestra el volumen de la muestra.

4. CONFIGURACIONES

El menú permite al usuario personalizar las configuraciones de la báscula.

4.1 Menú de navegación

Presione y sostenga el botón **MODE/UNIT/Menu** hasta que aparezca **SETUP** y luego suéltelo.

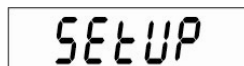
Presione **"Yes"** para ingresar al menú mostrado, o presione **"No"** para avanzar al siguiente menú.

Una vez en el menú, presione **"Yes"** para ver la configuración del elemento del menú o presione **"No"** para avanzar al siguiente elemento del menú. Cuando vea la configuración, presione **"Yes"** para aceptar la configuración, o presione **"No"** para cambiar dicha configuración. Cuando aparezca **"End"**, presione **"Yes"** para avanzar al siguiente menú o **"No"** para regresar a la parte superior del menú actual.

4.2 Menú de configuración

RANGO DE ESTABILIDAD

Establezca el rango de estabilidad en 0.5d, **1d**, 2d o 5d (divisiones).

A rectangular digital display showing the word "SETUP" in a seven-segment font.A rectangular digital display showing the word "STAB" in a seven-segment font.

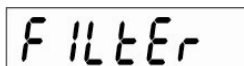
RANGO DE SEGUIMIENTO DE CERO AUTOMÁTICO

Establezca el rango de seguimiento de cero automático en OFF, **0.5d**, 1d, 3d (divisiones).

A rectangular digital display showing "A2t" in a seven-segment font.

NIVEL DE FILTRO

Establezca el nivel de filtro en LO (bajo), **ME** (medio), o HI (alto).

A rectangular digital display showing the word "FILTER" in a seven-segment font.

LUZ DE FONDO

Establezca la funcionalidad de la luz de fondo en OFF (siempre apagada), ON (siempre encendida) o en **Auto** (se enciende cuando se presiona una tecla o cambia el peso mostrado).

A rectangular digital display showing "L16Ht" in a seven-segment font.

APAGADO AUTOMÁTICO

Establezca la funcionalidad de apagado automático en **ON** (se apaga después de 5 minutos) o en OFF (permanece encendida).

A rectangular digital display showing "A OFF" in a seven-segment font.

ENCENDIDO DE UNIDAD

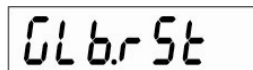
Establezca la unidad de medida mostrada en el inicio en g, kg, lb, oz o lb:oz.



REINICIO GLOBAL

Seleccione YES (restablece los menús a los valores de fábrica) o NO (no los restablece).

Las unidades estarán establecidas en los valores de fábrica.



Menú	Valor de fábrica
Rango de estabilidad	1d
Seguimiento de cero automático	0.5d
Nivel de filtro	ME
Luz de fondo	Auto
Apagado automático	On

LEGAL PARA EL COMERCIO

Este elemento de menú sólo está incluido en los modelos V31XW301, V31XW3, V31XW6, V31X3N y V31X6N. Consulte los detalles en la sección 5.

Configure la operación Legal para el comercio en habilitado (ON) o inhabilitado (OFF).



NOTA: Cuando Legal para el comercio está habilitado, las configuraciones del menú se afectan como sigue:

- La calibración está inhabilitada y oculta.
- La configuración de rango de estabilidad está bloqueada en el valor 1d y oculta.
- El rango de seguimiento de cero automático está bloqueado en el valor 0.5d y oculto.
- La unidad de pesaje en el encendido está bloqueada en la configuración actual y oculta.
- La configuración del filtro está bloqueada en el parámetro actual y oculta.
- La configuración de luz de fondo está desbloqueada y es visible.
- La configuración de apagado automático está desbloqueada y es visible.
- La configuración de reinicio global está bloqueada en el parámetro NO y oculta.
- Las unidades kilogramo, gramo, libra y onza están bloqueadas en su parámetro actual (activada [ON], desactivada [OFF]) y ocultas.
- Las unidades libra:onza y onza líquida están bloqueadas en el parámetro inhabilitadas (OFF) y ocultas.

- El modo Porcentaje está bloqueado en su parámetro actual (habilitado [ON] o inhabilitado [OFF]) y oculto.
- El modo Gravedad específica está bloqueado en la configuración inhabilitado (OFF) y está oculto.

NOTA: Cuando Legal para el comercio está habilitado, es necesario encender el interruptor de seguridad antes de salir del menú. Si el interruptor de seguridad no está en la posición de encendido (ON), aparece el mensaje "SW.OFF" y el indicador regresa al menú.

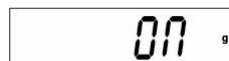
FINALIZAR (END):

Avanza al modo Unit/Mode (Yes) o regresa a configuración (Setup) (No).

4.3 Menú Unit/Mode

UNIDAD EN GRAMOS

Establece gramos en encendido (ON) o apagado (OFF).



UNIDAD EN KILOGRAMOS

Establece kilogramos en encendido (ON) o apagado (OFF).



UNIDAD EN LIBRAS

Establece libras en encendido (ON) o apagado (OFF).



UNIDAD DE ONZAS

Establece onzas en encendido (ON) o apagado (OFF). Si selecciona ON, establezca DEC (onzas decimales) o FrA (onzas fraccionales)



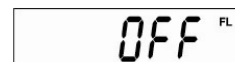
UNIDAD DE LIBRAS ONZA

Establece libras onzas en encendido (ON) o apagado (OFF). Si selecciona ON, establezca DEC (onzas decimales) o FrA (onzas fraccionales)



MODO DE ONZAS LÍQUIDAS

Establece onzas líquidas en encendido (ON) o apagado (OFF).



MODO DE PORCENTAJE

Establece porcentaje en encendido (ON) o apagado (OFF).



MODO DE GRAVEDAD ESPECÍFICA

Establece la gravedad específica en encendido (ON) o apagado (OFF).

OFF ^s

FINALIZAR (END):

Sale para ir al menú Unit/Mode anterior (Yes) o a g (No).

5. LEGAL PARA EL COMERCIO

Cuando el modelo V31XW301, V31XW3, V31XW6, V31X3N o V31X6N se usa en una aplicación en comercio o legalmente controlada, debe configurarse, verificarse y sellarse de acuerdo con las regulaciones locales del departamento de pesas y medidas. El comprador tiene la obligación de asegurar que se cumplan todos los requisitos legales pertinentes.

5.1 Configuraciones

Antes de verificar y sellar, siga estos pasos:

- Coloque el interruptor de seguridad en la posición apagada.
- Configure LFT (Legal para el comercio) en inhabilitado (OFF) en el menú de configuración.
- Calibre la báscula.
- Ingrese al menú Unidades.
- Establezca las unidades de medida deseadas como habilitadas (ON).
- Salga del menú Unidades.
- Ingrese al menú Configuración.
- Establezca el nivel deseado de filtro.
- Establezca la unidad de encendido que desea.
- Configure LFT como habilitado (ON)
- Coloque el interruptor de seguridad en encendido.
- Salga del menú Configuración.

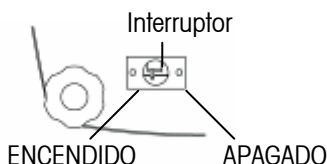


Figura 5-1. Posiciones del interruptor de seguridad

5.2 Verificación

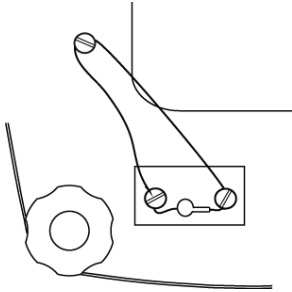
El funcionario del departamento local de pesos y medidas o agente de servicio autorizado debe realizar el proceso de verificación.

5.3 Sellado

El funcionario del departamento local de pesos y medidas o agente de servicio autorizado debe aplicar un sello de seguridad para prevenir que las configuraciones sean alteradas ilegalmente. Consulte en las siguientes ilustraciones los métodos de sellado.

Sello de cable

Retire los espaciadores debajo de los tornillos perforados transversalmente. Reinstale los tornillos e inserte el cable a través de los orificios transversales.



Sello de papel

Coloque los sellos de papel sobre los tornillos y espaciadores de sellado.

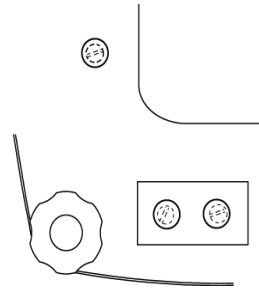


Figura 5-2. Métodos de sellado.

6. MANTENIMIENTO

6.1 Identificación y solución de problemas

La siguiente tabla describe los problemas comunes y las posibles causas y soluciones. Si persiste algún problema, comuníquese con Ohaus o con su distribuidor autorizado.

TABLA 6-1. IDENTIFICACIÓN Y SOLUCIÓN DE PROBLEMAS.

Síntoma	Causa probable	Solución
No enciende	No hay energía hacia la báscula	Verifique las conexiones y el voltaje.
Falta de precisión	Calibración incorrecta • Ambiente inestable	Calibre • Cambie la báscula a un lugar adecuado
No puede calibrarse	Ambiente inestable • Peso de calibración incorrecto	Cambie la báscula a un lugar adecuado • Use pesos de calibración correctos
No puede ingresar al modo	Modo no habilitado	Ingrese al menú y habilite el modo
No puede ingresar en la unidad de medida	Unidad no habilitada	Ingrese al menú y habilite la unidad
Err 8.1	La bandeja fue cargada durante el encendido	Retire el peso que está sobre la bandeja y vuelva a poner en cero.
Err 8.2	La bandeja fue retirada antes del encendido	Instale la bandeja y vuelva a poner en cero
OVER	El peso sobre la bandeja excede la capacidad	Retire el peso que está sobre la bandeja
UNDER	La bandeja fue retirada durante el pesaje	Reinstale la bandeja
Err 9	Datos de calibración de fábrica corrompidos	Comuníquese con Ohaus o un agente de servicio autorizado • Realice la calibración de servicio
REF Err	El peso de referencia es demasiado pequeño	Use una muestra más grande
LOWrEF	El peso de referencia es demasiado bajo para el pesaje de porcentaje exacto	Continúe pesando con resultados menos exactos

6.2 Información de servicio

Si la sección de identificación y solución de problemas no resuelve o describe el problema, comuníquese con su agente de servicio Ohaus autorizado. Para asistencia de servicio o asistencia técnica en los Estados Unidos, llame gratis al 1-800-526-0659 entre 8.00 a.m. y 5:00 p.m. hora del este. Un especialista en servicio a productos Ohaus estará disponible para brindarle asistencia. Fuera de los Estados Unidos, visite nuestra página web, www.ohaus.com, para encontrar la oficina de Ohaus más cercana a usted.

7. DATOS TÉCNICOS

La información técnica es válida en las siguientes condiciones ambientales:

Temperatura ambiente: 0 °C a 40 °C

Humedad relativa: Humedad relativa del 10 al 95%, no condensante

Altura sobre el nivel del mar: Hasta 4000 m

La operabilidad se garantiza a temperaturas ambiente entre 0 °C y 40°C

Energía

Adaptador de corriente alterna: Salida de 9V CC, 1.2A max

Protección

Protegida contra el polvo y agua

Grado de contaminación: 2

Categoría de instalación: Clase III

Centro de Medición de Emisiones (EMC): Vea la Declaración de Conformidad

76.1 Especificaciones

TABLA 7-1. ESPECIFICACIONES.

Modelo	V31XH202	V31XH402	V31XH2	V31XH4	V31XH501
Capacidad	200	400	2000	4000	500
Repetibilidad (g)	0.01		0.1		
Linealidad (g) (+/-)	±0.01		±0.1		
Clase	-				
Protección contra ingreso	-				
Unidades de pesaje	g, kg, lb, oz, lb:oz				
Modos de aplicación	Pesaje, pesaje porcentual, gravedad específica, onzas líquidas				
Rango de tara	A la capacidad mediante sustracción				
Tiempo de estabilización	≤3 segundos				
Requerimientos de energía	Adaptador de 9 VCC @ 1.2A max. (incluido) o 4 baterías C (LR14) (no incluidas)				
Calibración	Digital con peso externo				
Tipo de pantalla	LCD de 6 dígitos y 7 segmentos con luz de fondo blanca LED				
Tamaño de la pantalla	Dígitos de 15 mm / 0.6"				
Teclado	Superposición de 3 botones				
Tamaño de bandeja (mm / pulgadas)	120 / 4.7		146 x 158 / 5.7 x 6.2		120 / 4.7
Peso neto (kg / lb)	1.2 / 2.6		1.3 / 2.9		1.2 / 2.6
Peso de transporte (kg / lb)	2.0 / 4.3		2.1 / 4.6		2.0 / 4.3

TABLA 7-1. ESPECIFICACIONES.

Modelo	V31X3	V31X6	V31XW301	V31XW3/ V31X3N	V31XW6/ V31X6N
Capacidad	3000	6000	300	3000	6000
Repetibilidad (g)	1		0.2	1	2
Linealidad (g) (+/-)	±1		±0.2	±1	±2
Clase	-		III		
Protección contra ingreso	-		IP65 / *		
Unidades de pesaje	g, kg, lb, oz, lb:oz				
Modos de aplicación	Pesaje, pesaje porcentual, gravedad específica, onzas líquidas				
Rango de tara	A la capacidad mediante sustracción				
Tiempo de estabilización	≤3 segundos				
Requerimientos de energía	Adaptador de 9 VCC @ 1.2A max. (incluido) o 4 baterías C (LR14) (no incluidas)				
Calibración	Digital con peso externo				
Tipo de pantalla	LCD de 6 dígitos y 7 segmentos con luz de fondo blanca LED				
Tamaño de la pantalla	Dígitos de 15 mm / 0.6"				
Teclado	Superposición de 3 botones				
Tamaño de bandeja (mm / pulgadas)	146 x 158 / 5.7 x 6.2				
Peso neto (kg / lb)	1.3 / 2.9		1.4 / 3.1		
Peso de transporte (kg / lb)	2.1 / 4.6		2.2 / 4.8		

* Los modelos V31X3N y V31X6N no están clasificados con IP65.

7.2. Capacidad y capacidad de lectura

TABLA 7-2. CAPACIDAD Y CAPACIDAD DE LECTURA.

UNIDAD	INTERRUPTOR DE SEGURIDAD	MODELOS				
		V31XH202	V31XH402	V31XH2	V31XH4	V31X501
g	ON	NA	NA	NA	NA	NA
	OFF	200.00 x 0.01	400.00 x 0.01	2000.0 x 0.1	4000.0 x 0.1	500.0 x 0.1
kg	ON	NA	NA	NA	NA	NA
	OFF	0.20000 x 0.00001	0.40000 x 0.00001	2.0000 x 0.0001	4.0000 x 0.0001	0.5000 x 0.0001
oz	ON	NA	NA	NA	NA	NA
	OFF	7.0550 x 0.0005	14.1095 x 0.0005	70.550 x 0.005	141.095 x 0.005	17.635 x 0.005
lb	ON	NA	NA	NA	NA	NA
	OFF	0.44090 x 0.00005	0.88185 x 0.00005	4.4090 x 0.0005	8.81850 x 0.0005	1.1025 x 0.0005
lb:oz	ON			NA	NA	NA
	OFF	NA	NA	4lb : 6.55 oz x 0.01 oz	8lb : 13.10 oz x 0.01 oz	1lb : 1.64 oz x 0.01 oz
oz (fra)	ON	NA	NA	NA	NA	NA
	OFF	7 x 1/8	14 1/8 x 1/8	70 1/2 x 1/8	141 1/8 x 1/8	17 5/8 x 1/8
lb: oz (fra)	ON			NA	NA	NA
	OFF	NA	NA	4lb : 6 1/2 oz x 1/8 oz	8lb : 13 1/8 x 1/8 oz	1lb : 1 5/8 oz x 1/8 oz
fl	ON	NA	NA	NA	NA	NA
	OFF	6.7630 x 0.0005	13.5255 x 0.0005	67.630 x 0.005	135.255 x 0.005	16.905 x 0.005

TABLA 7-2. CAPACIDAD Y CAPACIDAD DE LECTURA.

UNIDAD	INTERRUPTOR DE SEGURIDAD	MODELOS				
		V31X3	V31X6	V31XW301	V31XW3 / V31X3N	V31XW6 / V31X6N
g	ON	NA	NA	300.0 x 0.2	3000 x 1	6000 x 2
	OFF	3000 x 1	6000 x 1	300.0 x 0.1	3000.0 x 0.5	6000 x 1
kg	ON	NA	NA	0.3000 x 0.0002	3.000 x 0.001	6.000 x 0.002
	OFF	3.000 x 0.001	6.000 x 0.001	0.3000 x 0.0001	3.0000 x 0.0005	6.000 x 0.001
oz	ON	NA	NA	10.58 x 0.01	105.80 x 0.05	211.6 x 0.1
	OFF	105.80 x 0.05	211.65 x 0.05	10.585 x 0.005	105.80 x 0.02	211.60 x 0.05
lb	ON	NA	NA	0.6615 x 0.0005	6.615 x 0.005	13.225 x 0.005
	OFF	6.615 x 0.005	13.230 x 0.005	0.6615 x 0.0005	6.615 x 0.002	13.225 x 0.005
lb:oz	ON	NA	NA	NA	6 lb : 9.80 oz x 0.05 oz	13 lb : 3.6 oz x 0.1 oz
	OFF	6 lb : 9.80 oz x 0.05 oz	13lb : 3.65 oz x 0.05 oz	NA	6 lb : 9.80 oz x 0.02 oz	13 lb : 3.60 oz x 0.05 oz
oz (fra)	ON	NA	NA	10 ½ x 1/8	105 ½ x 1/8	211 ½ x 1/8
	OFF	105 ½ x 1/8	211 ½ x 1/8	10 ½ x 1/8	105 ½ x 1/8	211 ½ x 1/8
lb: oz (fra)	ON	NA	NA	NA	6lb : 9 ½ oz x 1/8oz	13 lb : 3 ½ oz x 1/8oz
	OFF	6lb : 9 ½ oz x 1/8 oz	13 lb : 3 ½ oz x 1/8 oz	NA	6lb : 9 ½ oz x 1/8 oz	13 lb : 3 ½ oz x 1/8 oz
fl	ON	NA	NA	10.14 x 0.01	101.45 x 0.05	202.9 x 0.1
	OFF	101.45 x 0.05	202.90 x 0.05	10.140 x 0.005	101.44 x 0.02	202.90 x 0.05

7.3 Dibujos

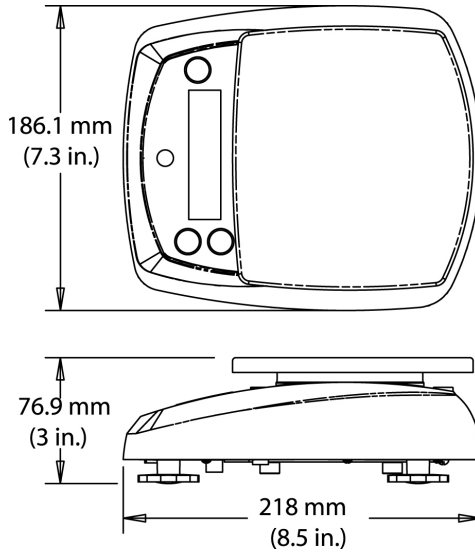


Figura 7-1. Todos los modelos excepto el V31XH202, V31XH402, V31X501

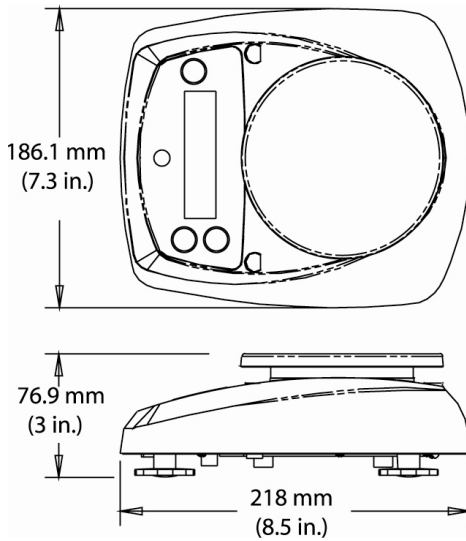


Figura 7-2 Modelo V31XH202, V31XH402, V31X501

Accessories

Deslice los accesorios sobre la parte posterior del conjunto de la bandeja y posicónelos como se muestra en las ilustraciones abajo.

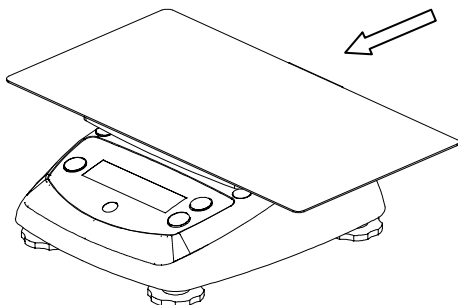


Figure 7-3. Bandeja para sandwich

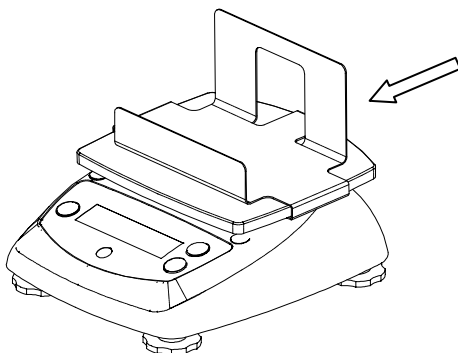


Figure 7-4. Soporte para papas fritas

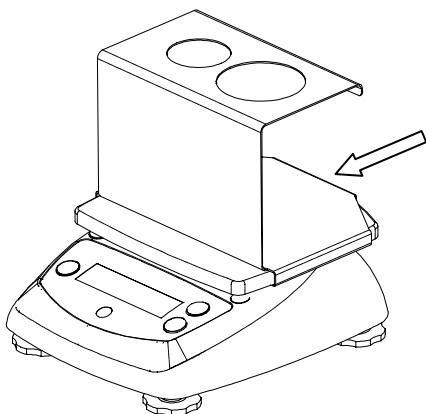






Figure 7-5. Soporte para conos de helado

7.4 Conformidad

La conformidad a los estándares siguientes es indicada por la marca correspondiente en el producto.

Marca	Estándar
	Este producto se conforma con la Directiva EMC 2004/108/EC. con la Directiva para Voltaje Bajo 2006/95/EC y con la Directiva para Instrumentos de Pesaje no Automáticos 90/384/EEC. La Declaración de Conformidad está disponible a través de Ohaus Corporation.
	AS/NZS4251, 1; AS/NZS4252, 1
	NSF/ANSI 169 - 2005
	NSF/ANSI /3-A 14159-1 - 2002

Notificación importante para instrumentos de pesaje verificados



Los instrumentos de pesaje verificados en el sitio de fabricación llevan una de las marcas precedentes en el rótulo del empaque y la etiqueta de la 'M' verde (metrología) en la placa descriptiva. Estos instrumentos se pueden poner en funcionamiento inmediatamente.



Los instrumentos de pesaje a ser verificados en dos etapas no tienen ninguna 'M' verde (metrología) en la placa descriptiva, y presentan una de las marcas de identificación precedentes sobre el rótulo del empaque. La segunda etapa de la verificación inicial debe ser llevada a cabo por la organización de servicio aprobada del representante autorizado dentro de la CE o por las autoridades nacionales de pesos y medidas.

La primera etapa de la verificación inicial ha sido llevada a cabo en el sitio de fabricación. Ésta comprende todas las pruebas estipuladas por el estándar europeo adoptado: EN 45501:1992, párrafo 8.2.2.

Si las normas nacionales limitan el periodo de validez de la verificación, el usuario del instrumento de pesaje debe seguir estrictamente el periodo de re-verificación e informar a las correspondientes autoridades de pesos y medidas.

Eliminación de residuos

De conformidad con las exigencias de la directiva europea 2002/96 CE sobre residuos de aparatos eléctricos y electrónicos (RAEE), este equipo no puede eliminarse como basura doméstica. Esta prohibición es asimismo válida para los países que no pertenecen a la UE cuyas normativas nacionales en vigor así lo reflejan.



Elimine este producto, según las disposiciones locales, mediante el sistema de recogida selectiva de aparatos eléctricos y electrónicos.

Si tiene alguna pregunta al respecto, diríjase a las autoridades responsables o al distribuidor que le proporcionó el equipo.

Si transfiere este equipo (por ejemplo, para la continuación de su uso con fines privados, comerciales o industriales), deberá transferir con él esta disposición.

Muchas gracias por su contribución a la conservación medioambiental.

Registro ISO 9001

En 1994, Bureau Veritas Quality International (BVQI) le otorgó a Ohaus Corporation, EE.UU., un certificado de registro ISO 9001 el cual confirma que el sistema administrativo de calidad de Ohaus cumple con los requerimientos del estándar ISO 9001. En mayo 15 del 2003, Ohaus Corporation, EE.UU., fue registrada nuevamente al estándar ISO 9001:2000.

GARANTÍA LIMITADA

Los productos de Ohaus están garantizados contra defectos de materiales y fabricación desde la fecha de entrega y durante el tiempo que dure la garantía. Durante el periodo de garantía Ohaus reparará, o, a su discreción, reemplazará cualquier componente(s) que se compruebe que está defectuoso, sin costo alguno, con la condición de que el producto sea devuelto, flete pagado, a Ohaus.

Esta garantía no es válida si el producto ha sufrido daños por accidente o mal uso, expuesto a materiales radioactivos o corrosivos, presenta materiales extraños penetrando al interior del producto, o si ha sido objeto de modificaciones por parte de personas que no sean de Ohaus. En lugar de una tarjeta de registro de garantía devuelta debidamente, el periodo de garantía comenzará en la fecha de envío al distribuidor autorizado. Ohaus Corporation no otorga ninguna otra garantía expresa o implícita. Ohaus Corporation no se hace responsable de cualquier daño fortuito.

Puesto que la legislación sobre garantías difiere de un estado a otro así como de un país a otro, comuníquese con su distribuidor local de Ohaus para mayor información.

1, INTRODUCTION

Ce guide contient des instructions d'installation, de fonctionnement et d'entretien des balances Valor™ de la série 3000, Veuillez lire toutes ces instructions avant d'utiliser la balance,

1,1 Consignes de sécurité

Prière de respecter ces consignes de sécurité,

- Vérifiez que la tension d'entrée de l'adaptateur CA correspond à l'alimentation CA locale,
- N'utilisez la balance que dans des endroits secs,
- N'utilisez pas la balance dans des environnements hostiles
- Ne faites pas tomber de charge sur la plate-forme,
- Ne posez pas la balance à l'envers sur la plate-forme,
- Les réparations doivent être exécutées exclusivement par un personnel autorisé,

1,2, Contrôles

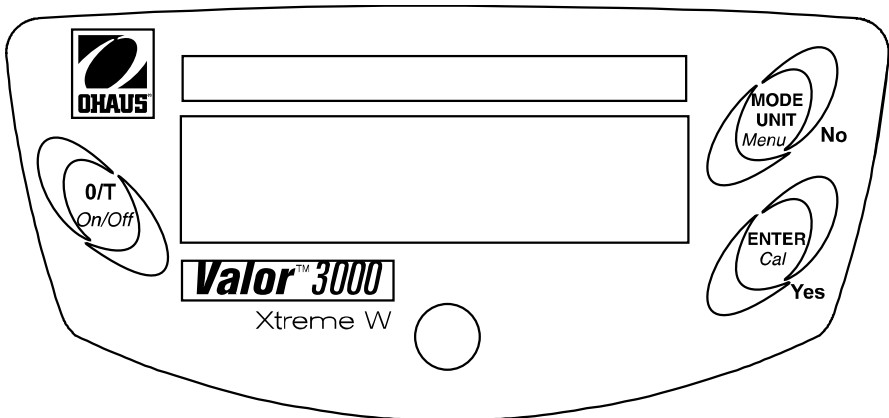


Figure 1-1, Commandes

TABLE 1-1, FONCTIONS DE COMMANDE,

Bouton	Fonctions
O/T On/Off	Appuyez rapidement : (hors tension) Met la balance en marche (sous tension) Règle l'affichage sur zéro Établit la tare de l'élément sur la plate-forme Appuyez longuement Met la balance hors tension
MODE/UNITÉ/ Menu	Appuyez rapidement : Passe par les unités et les modes actifs Appuyez longuement: Permet d'activer le menu Appuyez rapidement (Menu) Le Non passe d'un paramètre disponible à l'autre
ENTER Cal	Appuyez rapidement: Archive une référence 100 % en mode % Archive un échantillon de référence en mode SG Appuyez longuement,,,,, Lance le procédé du calibrage de la portée Appuyez rapidement (Menu) Oui (permet de sélectionner/accepter les paramètres affichés)

2, INSTALLATION

2,1 Contenu de l'emballage

- Balance
- Plate-forme
- Adaptateur alimentation
- Manuel d'instructions
- Carte de garantie

2,2, Emplacement

Utilisez la balance sur une surface solide et stable, Évitez les emplacements avec courant d'air, vibrations, sources de chaleur excessifs ou changements de température brusques, mettez la balance à niveau en réglant les pieds de nivellement en veillant à ce que la bulle soit centrée dans le cercle,

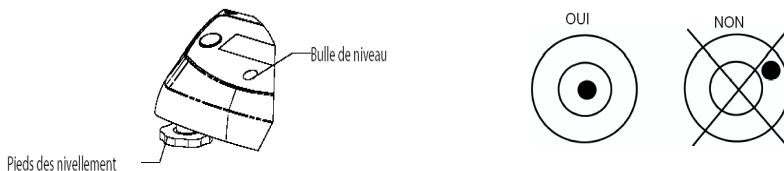


Figure 2-1, Mise à niveau de la balance,

2,3, Verrouillage pour transport

Ouvrir le couvercle du compartiment des piles, Placez le verrouillage pour transport en position déverrouillée, Installez les 4 piles C (LR14), le cas échéant, Remplacez le couvercle du compartiment des piles,

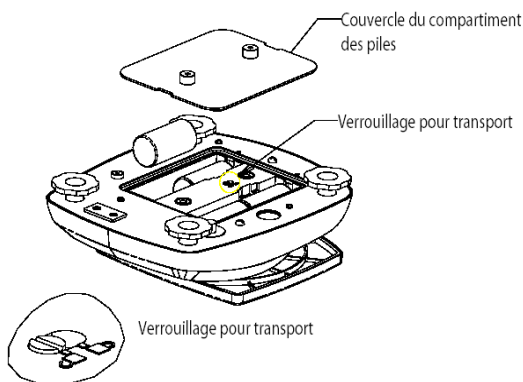


Figure 2-2, Installation des piles,

2,4 Alimentation

L'adaptateur CA (inclus) peut être utilisé pour alimenter la balance lorsque les piles ne sont pas disponibles, Enlevez le joint caoutchouté en bas, Placez-le à l'endroit prévu à cet effet, Connectez la fiche de l'adaptateur CA dans la prise d'entrée,

REMARQUE : Pour éviter toute pénétration de l'eau pendant le nettoyage, remplacez le joint caoutchouté dans le logement de la prise d'entrée,

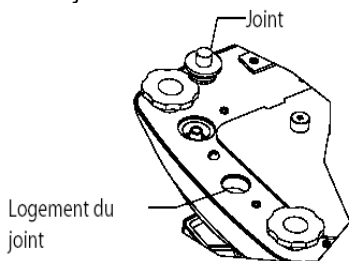


Figure 2-3, Connexion à l'alimentation et installation du joint,

2,5 Calibrage initial

Lors de l'installation initiale de la balance, calibrez-la pour garantir des résultats de pesage précis,

Appuyez sur le bouton **ENTER/Cal** que vous maintenez enfoncé jusqu'à ce que le message CAL s'affiche, Lorsque vous appuyez à nouveau sur le bouton et que vous le relâchez, l'écran affiche -C pendant l'enregistrement du zéro, L'affichage affiche ensuite la valeur du poids de calibrage en gramme, Placez le poids de calibrage indiqué (vendu séparément) sur la plate-forme, Voir les poids appropriés sur le tableau 2-1, L'écran affiche -C- pendant que la lecture est enregistrée, L'écran revient au mode de l'application précédente et la balance est prête à l'emploi,

TABLEAU 2-1, POIDS DU CALIBRAGE,

MODÈLES					
	V31XH202	V31XH402	V31XH2	V31XH4	V31X501
Poids du calibrage	200g	400 g	2 kg	4 kg	500 g
MODÈLES					
	V31X3	V31X6	V31XW301	V31XW3 / V31X3N	V31XW6 / V31X6N
Poids du calibrage	3 kg	6 kg	300 g	3 kg	6 kg

3, FONCTIONNEMENT

3,1 Mode de pesée

Utilisez ce mode pour mesurer le poids d'un échantillon dans l'unité de mesure sélectionnée,

- 1, Appuyez sur le bouton **MODE/UNIT/Menu** que vous maintenez enfoncé jusqu'à ce que l'icône de l'unité souhaitée s'affiche,
- 2, Placez un conteneur vide sur la plate-forme, appuyez sur **O/T/On/Off** pour tarer le poids du conteneur,
- 3, Placez le matériaux dans le conteneur, L'écran affiche le poids du matériau,

3,2 Mode de pourcentage

Activez ce mode pour mesurer le poids d'un échantillon comme le pourcentage d'un poids de référence,

- 1, Appuyez sur le bouton **MODE/UNIT/Menu** jusqu'à ce que Set, rEF et l'icône % s'affichent,
- 2, Appuyez sur **No** pour utiliser le poids de référence enregistré dans la mémoire et passez à l'étape 6,
- 3, Appuyez sur **Yes** pour établir une nouvelle référence, L'écran de la balance clignote pendant l'enregistrement de la référence,
- 4, Placez un conteneur vide sur la plate-forme, appuyez sur **O/T/On/Off**

- pour tarer le poids du conteneur,
- 5, Ajoutez la quantité souhaitée du matériau dans le conteneur, appuyez ensuite sur **ENTER/Cal** pour enregistrer le poids affiché, L'écran affiche 100 %,
 - 6, Remplacez le matériau de référence par le nouvel article, L'écran affiche le pourcentage de l'échantillon comparé au poids de référence,

3,3 Mode de densité

Utilisez ce mode pour mesurer la densité d'un échantillon,

- 1, Appuyez sur le bouton **MODE/UNIT/Menu** jusqu'à ce que Set,rEF et l'icône S s'affichent,
- 2, Appuyez sur **No** pour utiliser le poids de référence enregistré dans la mémoire et passez à l'étape 6,
- 3, Appuyez sur **Yes** pour établir un nouveau poids de référence, L'écran de la balance clignote pendant l'enregistrement de la référence,
- 4, Placez un conteneur vide sur la plate-forme, appuyez sur **O/T/On/Off** pour tarer le poids du conteneur,
- 5, Remplissez le conteneur avec l'eau et appuyez ensuite sur **ENTER/Cal** pour enregistrer le poids affiché, L'écran affiche le poids de l'eau avec l'icône S clignotant,
- 6, Remplacez l'eau par le même volume du matériau de l'échantillon et appuyez ensuite sur **ENTER/Cal**, L'écran affiche la densité de l'échantillon,

3,4 Mode des onces liquides

Utilisez ce mode pour mesurer le volume en once liquide d'un échantillon,

- 1, Appuyez sur **MODE/UNIT/Menu** que vous maintenez enfoncé jusqu'à ce que l'icône FL s'affiche,
- 2, Placez un conteneur vide sur la plate-forme, appuyez sur **O/T/On/Off** pour tarer le poids du conteneur,
- 3, Remplissez le conteneur avec le matériau de l'échantillon, L'écran affiche le volume de l'échantillon,

4, RÉGLAGES

Le menu permet à l'utilisateur de personnaliser les paramètres de la balance,

4,1 Navigation dans le menu

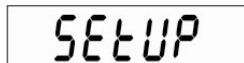
Appuyez sur le bouton **MODE/UNIT/Menu** que vous maintenez enfoncé jusqu'à ce que le message SETUP s'affiche, Relâchez ensuite le bouton,

Appuyez sur **Yes** pour afficher le menu ou sur **No** pour passer au menu suivant,

Une fois le menu affiché, appuyez sur **Yes** pour afficher le paramètre de l'option du menu ou sur **No** pour passer à l'option du menu suivant, Lors de la visualisation du

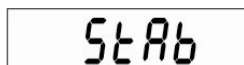
paramètre, appuyez sur **Yes** pour valider le paramétrage ou sur **No** pour changer le paramètre, Lorsque le message End s'affiche, appuyez sur **Yes** pour passer au menu suivant ou sur **No** pour revenir à la partie supérieure du menu actuel,

4,2 Menu de configuration

The LCD display shows the word "SETUP" in a large, black, seven-segment font.

STABILITY RANGE (PLAGE DE STABILITÉ)

Définissez la plage de stabilité sur 0,5d, **1d**, 2d ou 5d (divisions),

The LCD display shows the word "STAB" in a large, black, seven-segment font.

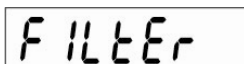
AUTO ZERO TRACKING RANGE (PLAGE DE SUIVI AUTO ZÉRO)

Définissez la plage de suivi du zéro automatique sur OFF, **0,5d**, 1d, 3d (divisions),

The LCD display shows the letters "AZT" in a large, black, seven-segment font.

FILTER LEVEL (NIVEAU FILTRE)

Définissez le niveau du filtre sur LO (bas), **ME** (moyen) ou HI (élevé),

The LCD display shows the word "FILTER" in a large, black, seven-segment font.

BACK LIGHT (RÉTROÉCLAIRAGE)

Définissez la fonctionnalité du rétroéclairage sur OFF (toujours désactivé), ON (toujours activé) ou **Auto** (s'active lorsqu'une touche est appuyée ou que le poids affiché change),

The LCD display shows the word "LIGHT" in a large, black, seven-segment font.

AUTO OFF (AUTO-DÉSACTIVATION)

Définissez la fonctionnalité de l'arrêt automatique sur **ON** (arrêt après 5 minutes) ou OFF (reste activé),

The LCD display shows the letters "A OFF" in a large, black, seven-segment font.

POWER ON UNIT (UNITÉ DE MESURE AFFICHÉE APRES L'ALIMENTATION)

Définissez l'unité de mesure affichée au démarrage sur g, kg, lb, oz ou lb:oz,

The LCD display shows the word "PUNIT" in a large, black, seven-segment font.

GLOBAL RESET (RÉINITIALISATION GLOBALE)

Sélectionnez YES (restaure les valeurs par défaut) ou NO (pas de restauration),
Les valeurs par défaut seront restaurées,

The LCD display shows the words "GLOBAL RESET" in a large, black, seven-segment font.

Menu	Valeur par défaut
Plage de stabilité	1d
Suivi auto zéro	0,5d
Niveau du filtre	ME
Rétroéclairage	Auto
Arrêt automatique	Activé

MÉTROLOGIE LÉGALE

Cette option du menu est incluse uniquement dans les modèles V31XW301, V31XW3, V31XW6, V31X3N et V31X6N. Voir la Section 5 pour de plus amples informations.

Permet d'activer ou désactiver le statut de la métrologie légale (OUI ou **NON**).

L F t

REMARQUE: Lorsque l'option de métrologie légale est activée (OUI), les paramètres du menu affectés sont les suivants:

- Le calibrage est désactivé et masqué.
- Le paramètre de la plage de stabilité est verrouillé à 1d et masqué.
- Le paramètre de la plage de suivi du zéro automatique est verrouillé à 0,5d et masqué.
- L'option de l'unité à la mise en marche est verrouillée à son paramètre actuel et masquée.
- Le paramètre du filtre est verrouillé à sa valeur actuelle et masqué.
- Le paramètre du rétroéclairage est déverrouillé et visible.
- Le paramètre d'arrêt automatique est déverrouillé et visible.
- Le paramètre de réinitialisation globale est verrouillé sur NON et masqué.
- Les unités Kilogramme, Gramme, Livre et Once sont verrouillées à leurs valeurs actuelles (OUI ou NON) et masquées.
- Les unités Livre:Once et Once liquide sont verrouillées sur NON et masquées.
- Le mode de pourcentage est verrouillé à sa valeur actuelle (OUI ou NON) et masqué.
- Le paramètre de densité est verrouillé sur NON et masqué.

REMARQUE: Lorsque l'option de métrologie légale est sur OUI, il faut régler l'interrupteur de sécurité sur OUI avant de quitter le menu. Si l'interrupteur de sécurité n'est pas sur OUI, le message NO.SW s'affiche et l'indicateur affiche à nouveau le menu.

END (FIN) :

Permet de passer au menu Unit/Mode (Yes) ou revenir à Setup (No),

4,3 Menu Unit/Mode

GRAM UNIT

Permet d'activer ou de désactiver les grammes,

00 g

KILOGRAM UNIT

Permet d'activer/désactiver les kilogrammes,

OFF kg

POUND UNIT

Permet d'activer ou de désactiver les livres,

OFF lb

OUNCE UNIT

Permet d'activer ou de désactiver les onces, Si l'activation est sélectionnée, définissez DEC (onces décimales) ou FrA (onces fractionnelles),

OFF oz

POUND OUNCE UNIT

Permet d'activer ou de désactiver les livres onces, Si l'activation est sélectionnée, définissez DEC (onces décimales) ou FrA (onces fractionnelles),

OFF lb+oz

FLUID OUNCE MODE (MODE ONCE LIQUIDE)

Permet d'activer ou de désactiver les onces liquides,

OFF FL

PERCENT MODE (MODE DE POURCENTAGE)

Permet d'activer ou de désactiver le pourcentage,

OFF %

SPECIFIC GRAVITY MODE (MODE DENSITÉ)

Permet d'activer ou de désactiver la densité,

OFF S

END

Permet de quitter le menu précédent Unit/Mode (Yes) ou g (No),

5, MÉTROLOGIE LÉGALE (LFT)

Lorsque les modèles V31XW301, V31XW3, V31XW6, V31X3N ou V31X6N sont utilisés dans une application commerciale ou contrôlé légalement, ils doivent être configurés, inspectés et scellés conformément à la réglementation des poids et mesures locale. Il appartient à l'acheteur de garantir que toutes les conditions légales sont satisfaites.

5,1 Paramètres

Avant de procéder à l'inspection et au scellement, procédez comme suit:

- Mettez l'interrupteur de sécurité en position NON.
- Réglez LFT sur NON dans le menu Configuration.
- Calibrez la balance.
- Activez le menu Unités.
- Définissez les unités de mesure souhaitées sur OUI.
- Quittez le menu Unités.
- Activez le menu Configuration.
- Définissez le niveau du filtre souhaité.
- Définissez l'unité à la mise en marche souhaitée.
- Définissez LFT sur OUI.
- Mettez l'interrupteur de sécurité en position OUI.
- Quittez le menu Configuration.

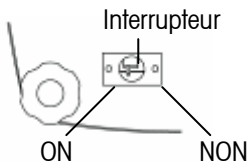


Figure 5-1 Paramètres de l'interrupteur de sécurité

5,2 Vérification

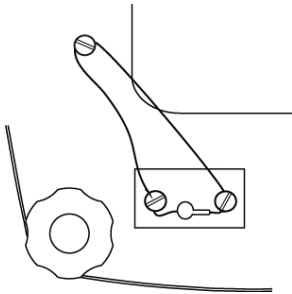
L'agent de service agréé ou l'agent officiel responsable localement des poids et mesures doivent exécuter les procédures de vérification suivantes.

5,3 Scellement

L'agent de service agréé ou l'agent officiel responsable localement des poids et mesures doivent apposer un sceau de sécurité en vue d'éviter toute altération aux réglages. Voir les méthodes d'apposition de sceau illustrées ci-dessous.

Sceau par fil

Enlevez les entretoises situées sous les vis percées en croisé. Réinstallez les vis et passez le fil par les trous percés en croisé.



Sceau en papier

Placez les sceaux en papier sur les vis et l'entretoise de scellement.

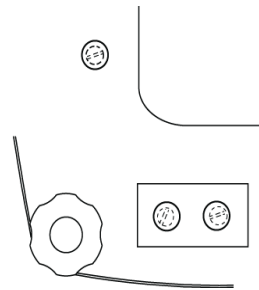


Figure 5-2 Méthodes de scellement

6, MAINTENANCE

6,1 Dépannage

Le tableau suivant présente les problèmes communs, les causes possibles et les solutions, Si le problème persiste, contactez Ohaus ou votre revendeur Ohaus agréé,

TABLEAU 6-1, DÉPANNAGE,

Symptôme	Cause possible	Solution
Mise sous tension impossible	La balance n'est pas alimentée	Vérifier la connexion et la tension,
Précision de qualité médiocre	Calibrage incorrect • Environnement instable	Effectuer le calibrage • Déplacer la balance vers un emplacement approprié
Impossible de calibrer	Environnement instable • Poids de calibrage incorrect,	Déplacer la balance vers l'emplacement approprié • Utiliser le poids de calibrage approprié
Impossible d'accéder au mode	Mode non activé	Activer le menu, puis le mode
Impossible d'accéder à l'unité	Unité non activée	Activer le menu, puis l'unité
Err 8,1	Une charge est sur la plate-forme pendant la mise sous tension	Enlever le poids de la plate-forme et remettre la balance à zéro,
Err 8,2	La plate-forme a été enlevée avant la mise en marche	Installer la plate-forme et remettre la balance à zéro,
OVER	Le poids sur la plate-forme dépasse la capacité	Enlever le poids de la plate-forme
UNDER	La plate-forme a été enlevée pendant un pesage	Réinstaller la plate-forme
Err 9	Données de calibrage par défaut corrompues	Contactez Ohaus ou un centre de service agréé • Effectuer le calibrage
REF Err	Poids de référence trop petit	Utiliser un échantillon plus grand
LOWrEF	Le poids de référence est trop petit un pesage précis en pourcentage	Poursuivre la pesée avec des résultats moins précis

6,2 Informations sur le service

Si la section de dépannage ne vous aide pas à résoudre votre problème ou ne le décrit pas, contactez un technicien agréé Ohaus, Pour toute assistance relative au service ou tout support technique, appelez le 1-800-526-0659 aux États-Unis entre 8h00 et 17h00 (heure de New York), Un spécialiste des produits Ohaus se tient à votre disposition pour répondre à vos questions, En dehors des États-Unis, visitez le site Web à l'adresse suivante : www.ohaus.com pour localiser le bureau Ohaus le plus près de chez vous,

7, DONNÉES TECHNIQUES

Les données techniques sont valides dans les conditions ambiantes suivantes,

Température ambiante entre 0 et 40 °C

Humidité relative : 10 à 95 %, sans condensation

Hauteur au-dessus du niveau de la mer : Jusqu'à 4 000 m

L'exploitation est garantie à des températures ambiantes entre 0 et 40 °C

Alimentation

Adaptateur CA – Sortie 9 VCC @ 1.2A max

Protection

Protégé contre la poussière et l'eau

Degrés de pollution : 2

Catégorie d'installation : Classe III

EMC: Voir déclaration de conformité

7,1 Spécifications

TABLEAU 7-1, SPÉCIFICATIONS,

Modèle	V31XH202	V31XH402	V31XH2	V31XH4	V31X501
Capacité	200	400	2000	4000	500
Reproductibilité (g)	0,01		0,1		
Linéarité (g) (+/-)	±0,01		±0,1		
Classe	-				
Protection contre pénétration	-				
Unités de pesage	g, kg, lb, oz, lb:oz				
Modes d'application	Pesée, Pesée en pourcentage, Densité, Onces liquides				
Plage de tare	À la capacité par soustraction				
Temps de stabilisation	≤3 secondes				
Alimentation	Adaptateur 9 VCC @ 1.2A max AC (fourni) ou 4 piles C (LR14) (non fournies)				
Calibrage	Numérique avec poids externe				
Type d'affichage	LCD 7 segments à 6 chiffres avec rétroéclairage LED blanc				
Taille de l'affichage	Chiffres de 15 mm / 0,6 po				
Clavier	Agencement à 3 boutons				
Dimension plate-forme (mm/po)	120 / 4,7		146 x 158 / 5,7 x 6,2		120 / 4,7
Poids net (kg / lb)	1,2 / 2,6		1,3 / 2,9		1,2 / 2,6
Poids à l'expédition (kg / lb)	2,0 / 4,3		2,1 / 4,6		2,0 / 4,3

TABLEAU 7-1, SPÉCIFICATIONS,

Modèle	V31X3	V31X6	V31XW301	V31XW3/ V31X3N	V31XW6/ V31X6N
Capacité	3000	6000	300	3000	6000
Reproductibilité (g)	1		0,2	1	2
Linéarité (g) (+/-)	±1		±0,2	±1	±2
Classe	-		III		
Protection contre pénétration	-		IP65 / *		
Unités de pesage	g, kg, lb, oz, lb:oz				
Modes d'application	Pesée, Pesée en pourcentage, Densité, Onces liquides				
Plage de tare	À la capacité par soustraction				
Temps de stabilisation	≤3 secondes				
Alimentation	Adaptateur 9 VCC @ 1.2A max AC (fourni) ou 4 piles C (LR14) (non fournies)				
Calibrage	Numérique avec poids externe				
Type d'affichage	LCD 7 segments à 6 chiffres avec rétroéclairage LED blanc				
Taille de l'affichage	Chiffres de 15 mm / 0,6 po				
Clavier	Agencement à 3 boutons				
Dimension plate-forme (mm/po)	146 x 158 / 5,7 x 6,2				
Poids net (kg / lb)	1,3 / 2,9		1,4 / 3,1		
Poids à l'expédition (kg / lb)	2,1 / 4,6		2,2 / 4,8		

* Les modèles V31X3N et V31X6N ne sont pas compatibles avec IP65.

7,2, Capacité et Précision d'affichage

TABLEAU 7-2, CAPACITÉ ET PRÉCISION D’AFFICHAGE,

UNITÉS	INTERRUPTEUR SÉCURITÉ	MODÈLES				
		V31XH202	V31XH402	V31XH2	V31XH4	V31XH501
g	ON	NA	NA	NA	NA	NA
	OFF	200,00 x 0,01	400,00 x 0,01	2000,0 x 0,1	4000,0 x 0,1	500,0 x 0,1
kg	ON	NA	NA	NA	NA	NA
	OFF	0,20000 x 0,00001	0,40000 x 0,00001	2,0000 x 0,0001	4,0000 x 0,0001	0,5000 x 0,0001
oz	ON	NA	NA	NA	NA	NA
	OFF	7,0550 x 0,0005	14,1095 x 0,0005	70,550 x 0,005	141,095 x 0,005	17,635 x 0,005
lb	ON	NA	NA	NA	NA	NA
	OFF	0,44090 x 0,00005	0,88185 x 0,00005	4,4090 x 0,0005	8,81850 x 0,0005	1,1025 x 0,0005
lb:oz	ON	NA	NA	NA	NA	NA
	OFF	NA	NA	4lb : 6,55 oz x 0,01 oz	8lb : 13,10 oz x 0,01 oz	1lb : 1,64 oz x 0,01 oz
oz (fra)	ON	NA	NA	NA	NA	NA
	OFF	7 x 1/8	14 1/8 x 1/8	70 ½ x 1/8	141 1/8 x 1/8	17 5/8 x 1/8
lb: oz (fra)	ON	NA	NA	NA	NA	NA
	OFF	NA	NA	4lb : 6 ½ oz x 1/8 oz	8lb : 13 1/8 x 1/8 oz	1lb : 1 5/8 oz x 1/8 oz
fl	ON	NA	NA	NA	NA	NA
	OFF	6,7630 x 0,0005	13,5255 x 0,0005	67,630 x 0,005	135,255 x 0,005	16,905 x 0,005

TABLEAU 7-2, CAPACITÉ ET PRÉCISION D’AFFICHAGE,

UNITÉS	INTERRUPTEUR SÉCURITÉ	MODÈLES				
		V31X3	V31X6	V31XW301	V31XW3 / V31X3N	V31XW6 / V31X6N
g	ON	NA	NA	300,0 x 0,2	3000 x 1	6000 x 2
	OFF	3000 x 1	6000 x 1	300,0 x 0,1	3000,0 x 0,5	6000 x 1
kg	ON	NA	NA	0,3000 x 0,0002	3,000 x 0,001	6,000 x 0,002
	OFF	3,000 x 0,001	6,000 x 0,001	0,3000 x 0,0001	3,0000 x 0,0005	6,000 x 0,001
oz	ON	NA	NA	10,58 x 0,01	105,80 x 0,05	211,6 x 0,1
	OFF	105,80 x 0,05	211,65 x 0,05	10,585 x 0,005	105,80 x 0,02	211,60 x 0,05
lb	ON	NA	NA	0,6615 x 0,0005	6,615 x 0,005	13,225 x 0,005
	OFF	6,615 x 0,005	13,230 x 0,005	0,6615 x 0,0005	6,615 x 0,002	13,225 x 0,005
lb:oz	ON	NA	NA	NA	6 lb : 9,80 oz x 0,05 oz	13 lb : 3,6 oz x 0,1 oz
	OFF	6 lb : 9,80 oz x 0,05 oz	13lb : 3,65 oz x 0,05 oz	NA	6 lb : 9,80 oz x 0,02 oz	13 lb : 3,60 oz x 0,05 oz
oz (fra)	ON	NA	NA	10 ½ x 1/8	105 ½ x 1/8	211 ½ x 1/8
	OFF	105 ½ x 1/8	211 ½ x 1/8	10 ½ x 1/8	105 ½ x 1/8	211 ½ x 1/8
lb: oz (fra)	ON	NA	NA	NA	6lb : 9 ½ oz x 1/8oz	13 lb : 3 ½ oz x 1/8oz
	OFF	6lb : 9 ½ oz x 1/8 oz	13 lb : 3 ½ oz x 1/8 oz	NA	6lb : 9 ½ oz x 1/8 oz	13 lb : 3 ½ oz x 1/8 oz
fl	ON	NA	NA	10,14 x 0,01	101,45 x 0,05	202,9 x 0,1
	OFF	101,45 x 0,05	202,90 x 0,05	10,140 x 0,005	101,44 x 0,02	202,90 x 0,05

7,3 Schémas

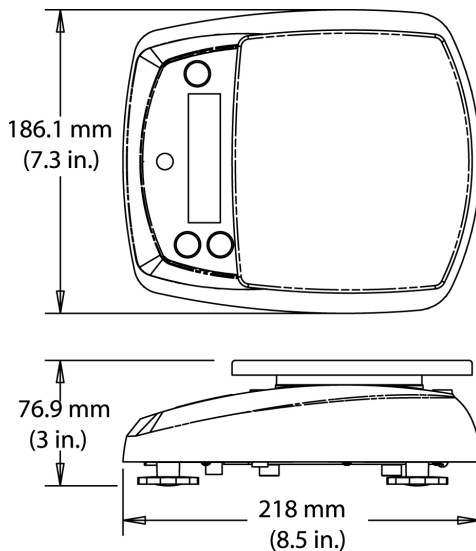


Figure 7-1, Tous les modèles sauf V31XH202, V31XH402, V31X501

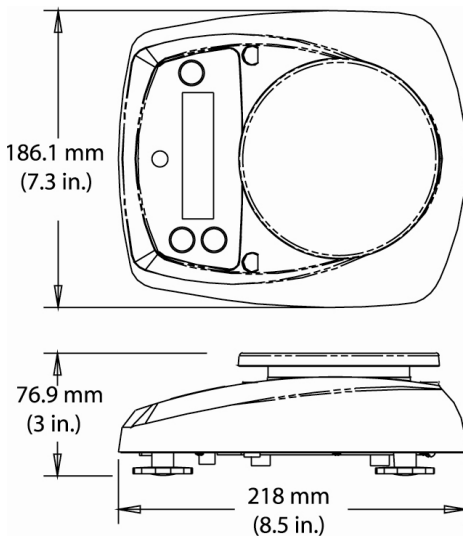


Figure 7-2, Modèle V31XH202, V31XH402, V31X501

Accessories

Faites glisser les accessoires par dessus l'arrière de la plate-forme et placez-les tels qu'indiqués sur l'illustration ci-dessous,

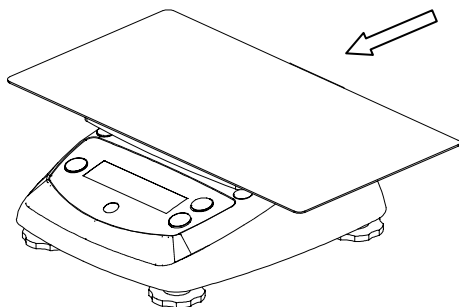


Figure 7-3, Plate-forme pour sandwich

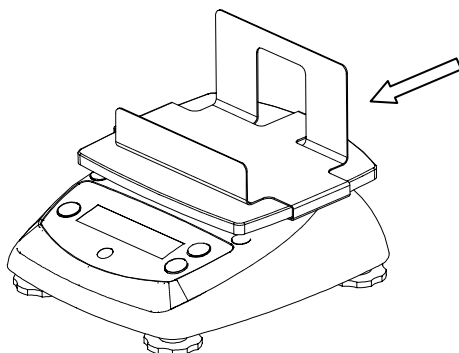


Figure 7-4, Support pour frites

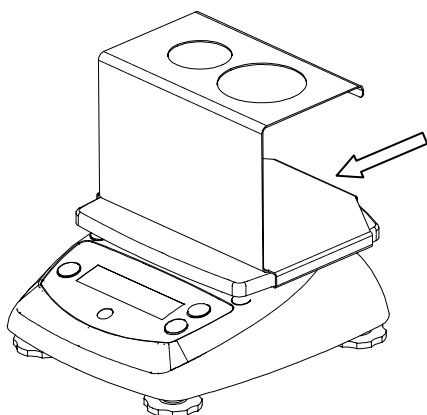






Figure 7-5, Support pour cône de glace

7,4 Conformité

La conformité aux normes suivantes est indiquée par la marque correspondante sur le produit,

Marque	Norme
	Ce produit se conforme à l'EMC 2004/108/EC directif et la basse tension 2006/95/EC directif, La déclaration complète de la conformité est fournie par Ohaus Corporation,
	AS/NZS4251, 1; AS/NZS4252, 1
	NSF/ANSI 169 - 2005
	NSF/ANSI /3-A 14159-1 - 2002

Avis important pour les instruments de pesage vérifiés



Les instruments de pesage vérifiés sur le site de fabrication portent l'une des marques précédentes sur l'étiquette de l'emballage avec un autocollant M (pour Métrologie) en vert sur la plaque descriptive, Ces instruments peuvent être immédiatement mis en service,



Les instruments de pesage à vérifier en deux étapes ne portent pas d'autocollant M (pour Métrologie) en vert sur la plaque descriptive et portent l'une des marques d'identification précédentes sur l'étiquette de l'emballage, La deuxième étape de la vérification initiale doit être exécutée par l'organisation de service homologuée du représentant agréé au sein de la CE ou par les autorités nationales de poids et mesures,

La première étape de la vérification initiale a été exécutée sur le site du fabricant, Elle se compose des tests requis par la norme européenne EN45501:1992, paragraphe 8,2,2,

Si des règlements nationaux limitent la durée de validité de la vérification, il incombe à l'utilisateur dudit instrument de pesage de respecter strictement la période de re-vérification et d'informer les autorités de poids et mesures respectives,

Elimination

En conformité avec les exigences de la directive européenne 2002/96 CE relative aux déchets d'équipements électriques et électroniques (DEEE), cet appareil ne doit pas être éliminé avec les déchets ménagers, Logiquement, ceci est aussi valable pour les pays en dehors de l'UE conformément aux réglementations nationales en vigueur,



Veillez éliminer cet appareil conformément aux prescriptions locales dans un conteneur séparé pour appareils électriques et électroniques,

Pour toute question, adressez-vous aux autorités compétentes ou au revendeur chez qui vous avez acheté cet appareil,

En cas de remise de cet appareil (p. ex. pour une utilisation privée ou artisanale/industrielle), cette prescription doit être transmise en substance,

Merci pour votre contribution à la protection de l'environnement,

Remarque d'Industrie Canada

Cet appareil numérique de la classe B est conforme à la norme NMB-003 du Canada

Enregistrement ISO 9001

En 1994, le Bureau Veritas Quality International (BVQI) a octroyé la certification d'enregistrement ISO 9001 à Ohaus Corporation, États-Unis d'Amérique, confirmant que le système de gestion de la qualité Ohaus était conforme aux conditions normalisées de l'ISO 9001, Le 15 mai 2003, Ohaus Corporation, États-Unis d'Amérique, a été ré-enregistrée à la norme ISO 9001:2000

GARANTIE LIMITÉE

Ohaus garantit que ses produits sont exempts de défauts matériels et de fabrication à compter de la date de livraison pendant toute la durée de la garantie, Selon les termes de cette garantie, Ohaus s'engage, sans frais de votre part, à réparer ou, selon son choix, remplacer toutes les pièces déterminées défectueuses, sous réserve que le produit soit retourné, frais payés d'avance, à Ohaus,

Cette garantie n'entre pas en vigueur si le produit a subi des dommages suite à un accident ou une utilisation erronée, a été exposé à des matériaux radioactifs ou corrosifs, contient des matériaux étrangers ayant pénétré à l'intérieur ou suite à un service ou une modification apportée par des techniciens autres que ceux d'Ohaus, En l'absence d'une carte d'enregistrement de garantie dûment remplie, la période de garantie commence à la date de l'expédition au revendeur agréé, Aucune autre garantie expresse ou implicite n'est offerte par Ohaus

Corporation, En aucun cas, Ohaus Corporation ne peut être tenu responsable des dommages indirects,

Dans la mesure où les lois régissant les garanties varient d'un État à l'autre et d'un pays à l'autre, veuillez contacter Ohaus ou votre représentant local agréé Ohaus pour de plus amples informations,

1, EINLEITUNG

Dieses Handbuch enthält Anweisungen zur Installation, zum Betrieb und zur Wartung der Waagen der Valor™ 3000-Serie, Bitte lesen Sie das Handbuch ganz durch, bevor Sie die Waage in Betrieb nehmen,

1,1 Sicherheitsvorkehrungen

Bitte befolgen Sie die folgenden Sicherheitsmaßnahmen:

- Stellen Sie sicher, dass die Eingangsspannung des Netzadapters der örtlichen Netzspannung entspricht,
- Verwenden Sie die Waage nur an trockenen Orten,
- Betreiben Sie die Waage nicht unter widrigen Umgebungsbedingungen,
- Lassen Sie die Lasten nicht auf die Plattform fallen,
- Stellen Sie die Waage nicht kopfüber auf die Schale,
- Reparaturen sollten nur von dazu befugtem Personal durchgeführt werden,

1,2, Bedienelemente

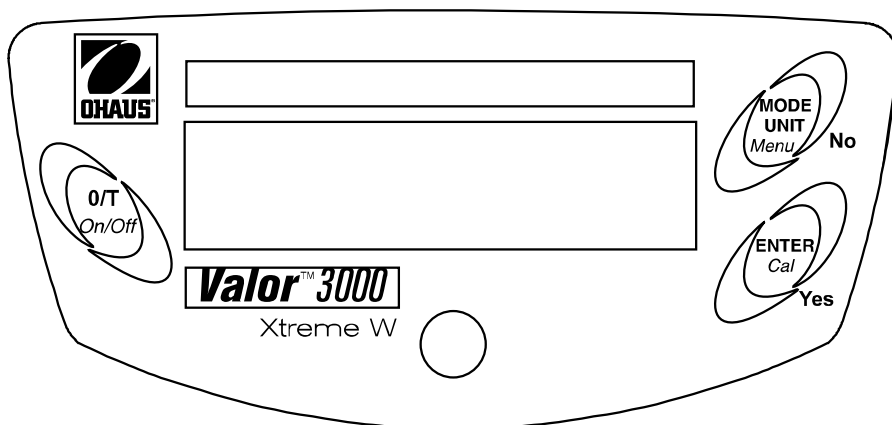


Abbildung 1-1, Bedienelemente,

TABELLE 1-1, BEDIENELEMENTFUNKTIONEN,

Taste	Funktionen
O/T On/Off (O/T Ein/Aus)	Kurzes Drücken: (wenn ausgeschaltet) schaltet Waage ein (wenn eingeschaltet) stellt Anzeige auf Null Tariert Gewicht des Objekts auf der Schale Langes Drücken: Schaltet die Waage aus
MODE/UNIT (Modus/Einheit) Menu (Menü)	Kurzes Drücken : Durchläuft aktive Einheiten und Modi Langes Drücken: Ruft Menü auf Kurzes Drücken (Menu) „No“ (durchläuft die verfügbaren Einstellungen)
ENTER Cal (Eingabe Kal)	Kurzes Drücken: Speichert 100%igen Bezug im %-Modus Speichert Bezugsprobe im SG-Modus Langes Drücken Leitet das Messspannenkalibrierungsverfahren ein Kurzes Drücken (Menu) „Yes“ (wählt/akzeptiert die angezeigte Einstellung)

2, INSTALLATION

2,1 Paketinhalt

- Waage
- Schale
- Stromadapter
- Bedienungsanleitung
- Garantiekarte

2,2, Standort

Verwenden Sie die Waage auf einer festen, stabilen Oberfläche, Vermeiden Sie Standorte mit zu starken Luftströmungen, Vibrationen, Wärmequellen oder schnellen Temperaturschwankungen, Nivellierfüße so eingestellt werden, dass die Luftblase in der Mitte zentriert ist,

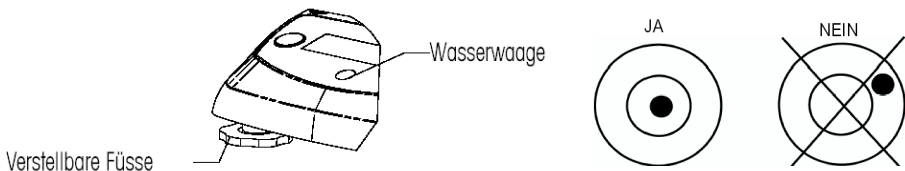


Abbildung 2-1, Nivellieren der Waage,

2,3, Transportverriegelung

Öffnen Sie die Batterieabdeckung, Schieben Sie die Transportverriegelung in die entriegelte Position, Legen Sie nach Wunsch 4 Batterien der Größe C (LR14) ein, Bauen Sie die Batterieabdeckung wieder ein

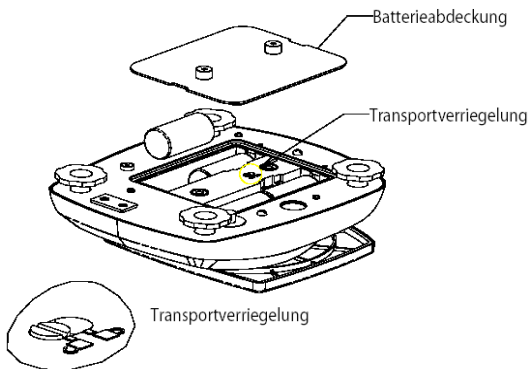


Abbildung 2-2, Einlegen der Batterien,

2,4 Strom

Der Netzadapter (im Lieferumfang enthalten) kann zum Betreiben der Waage verwendet werden, wenn kein Batteriestrom zur Verfügung steht, Entfernen Sie die Gummidichtung an der Unterseite, Verstauen Sie sie an der dafür vorgesehenen Stelle, Schließen Sie den Netzadapterstecker an die Eingangsbuchse an,

HINWEIS: Um das Eindringen von Wasser während der Reinigung zu verhindern, legen Sie die hintere Gummidichtung in die Eingangsbuchsenausparung ein,

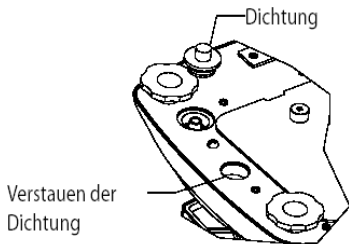


Abbildung 2-3, Stromanschluss und Abdichtung,

2,5 Anfängliche Kalibrierung

Wenn die Waage zum ersten Mal installiert wird, sollte sie kalibriert werden, um genaue Wägeregebnisse sicherzustellen, Drücken und halten Sie die Taste **ENTER/Cal** gedrückt, bis CAL eingeblendet wird, Bei erneutem Drücken und Loslassen der Taste erscheint auf der Anzeige -C-, während der Nullwert gespeichert wird, Als Nächstes erscheint auf der Anzeige der Kalibrierungsgewichtswert in Gramm, Platzieren Sie das vorgegebene Kalibrierungsgewicht (separat erhältlich) auf die Schale, Die entsprechenden Gewichte entnehmen Sie Tabelle 2-1, Während der Ablesewert gespeichert wird, erscheint -C- auf der Anzeige, Die Anzeige kehrt zum vorherigen Anwendungsmodus zurück, und die Waage ist betriebsbereit,

TABELLE 2-1, KALIBRIERGEWICHTE,

MODELLE					
	V31XH202	V31XH402	V31XH2	V31XH4	V31X501
Kalibrierung Gewichte	200g	400 g	2 kg	4 kg	500 g
MODELLE					
	V31X3	V31X6	V31XW301	V31XW3 / V31X3N	V31XW6 / V31X6N
Kalibrierung Gewichte	3 kg	6 kg	300 g	3 kg	6 kg

3, BETRIEB

3,1 Wägemodus

Mit diesem Modus kann das Gewicht einer Probe in der ausgewählten Maßeinheit gemessen werden,

- 1, Drücken Sie auf **MODE/UNIT/Menu**, bis das gewünschte Einheitssymbol angezeigt wird,
- 2, Stellen Sie einen leeren Behälter auf die Schale und drücken Sie anschließend auf **O/T/On/Off**, um das Behältergewicht zu tarieren,
- 3, Fügen Sie dem Behälter Material hinzu, Auf der Anzeige erscheint das Gewicht des Materials,

3,2 Prozentmodus

Verwenden Sie diesen Modus, um das Gewicht einer Probe als Prozentsatz eines Bezugsgewichts zu messen,

- 1, Drücken Sie auf **MODE/UNIT/Menu**, bis Set,rEF und das %-Symbol angezeigt werden,
- 2, Drücken Sie auf **No**, um das gespeicherte Bezugsgewicht zu verwenden, und fahren Sie mit Schritt 6 fort,
- 3, Drücken Sie auf **Yes**, um einen neuen Bezugswert festzulegen, Die Waagenanzeige blinkt, bis der Bezugswert gespeichert ist,
- 4, Stellen Sie einen leeren Behälter auf die Schale und drücken Sie

- anschließend auf **O/T/On/Off**, um das Behältergewicht zu tarieren,
- 5, Fügen Sie dem Behälter die gewünschte Materialmenge hinzu und drücken Sie anschließend auf **ENTER/Cal**, um das angezeigte Gewicht zu speichern, Auf der Anzeige erscheint 100%,
 - 6, Ersetzen Sie das Bezugsmaterial mit neuem Material, Auf der Anzeige erscheint der Prozentsatz der Probe im Vergleich zum Bezugsgewicht,

3,3 Modus „Spezifisches Gewicht“

Mit diesem Modus wird das spezifische Gewicht einer Probe gemessen,

- 1, Drücken Sie auf **MODE/UNIT/Menu**, bis Set,rEF und das S-Symbol angezeigt werden,
- 2, Drücken Sie auf **No**, um das gespeicherte Bezugsgewicht zu verwenden, und fahren Sie mit Schritt 6 fort,
- 3, Drücken Sie auf **Yes**, um ein neues Bezugsgewicht festzulegen, Die Waagenanzeige blinkt, bis der Bezugswert gespeichert ist,
- 4, Stellen Sie einen leeren Behälter auf die Schale und drücken Sie anschließend auf **O/T/On/Off**, um das Behältergewicht zu tarieren,
- 5, Füllen Sie den Behälter mit Wasser und drücken Sie auf **ENTER/Cal**, um das angezeigte Gewicht zu speichern, Auf der Anzeige erscheint das Wassergewicht, während das S-Symbol blinkt,
- 6, Ersetzen Sie das Wasser durch dasselbe Probenmaterialvolumen und drücken Sie dann auf **ENTER/Cal**, Auf der Anzeige erscheint das spezifische Gewicht der Probe,

3,4 Flüssigunzenmodus

Mit diesem Modus kann das Flüssigunzenvolumen einer Probe gemessen werden,

- 1, Drücken Sie auf **MODE/UNIT/Menu**, bis das FL-Symbol angezeigt wird,
- 2, Stellen Sie einen leeren Behälter auf die Schale und drücken Sie anschließend auf **O/T/On/Off**, um das Behältergewicht zu tarieren,
- 3, Füllen Sie den Behälter mit Probenmaterial, Auf der Anzeige erscheint das Gewicht der Probe,

4, EINSTELLUNGEN

Über das Menü kann der Benutzer die Waageneinstellungen anwendungsspezifisch definieren,

4,1 Menünavigation

Drücken und halten Sie die Taste **MODE/UNIT/Menu** gedrückt, bis SETUP eingeblendet wird; lassen Sie die Taste dann los,

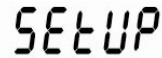

Drücken Sie auf **Yes**, um das angezeigte Menü aufzurufen, oder drücken Sie auf **No**, um zum nächsten Menü vorzurücken,

Wenn Sie sich im Menü befinden, drücken Sie auf **Yes**, um die Menüelementeinstellung zu prüfen, bzw, auf **No**, um zum nächsten Menüelement vorzurücken, Beim Betrachten der Einstellung drücken Sie auf **Yes**, um die Einstellung zu akzeptieren, bzw, auf **No**, um die Einstellung zu ändern, Wenn „End“ angezeigt wird, drücken Sie auf **Yes**, um zum nächsten Menü vorzurücken, bzw, auf **No**, um zum Anfang des aktuellen Menüs zurückzukehren,

4,2 Setup-Menü

STABILITÄTSBEREICH

Stellen Sie den Stabilitätsbereich auf 0,5d, **1d**, 2d oder 5d (Teilstriche) ein,

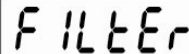
AUTOMATISCHER NULLVERFOLGUNGSBEREICH

Stellen Sie den automatischen Nullverfolgungsbereich auf OFF, **0,5d**, 1d, 3d (Teilstriche) ein,



FILTERSTUFE

Stellen Sie die Filterstufe auf LO (niedrig), **ME** (mittel) oder HI (hoch) ein,



HINTERGRUNDBELEUCHTUNG

Stellen Sie die Hintergrundbeleuchtungsfunktion auf OFF (immer aus), ON (immer ein) oder **Auto** (schaltet sich ein, wenn eine Taste gedrückt wird oder sich das angezeigte Gewicht ändert) ein,



AUTOMATISCHES ABSCHALTEN

Stellen Sie die automatische Abschalfunktion auf **ON** (Abschalten nach 5 Minuten) oder OFF (bleibt eingeschaltet) ein,



EINHEIT BEIM EINSCHALTEN

Stellen Sie die Maßeinheit ein, die bei der Inbetriebnahme angezeigt wird: g, kg, lb, oz oder lb:oz,



Globale Rücksetzung

Wählen Sie YES (Menüs werden auf Werkseinstellungen zurückgesetzt) oder NO (keine Rücksetzung), Die Einheiten werden auf die werkseitigen Standardeinstellungen zurückgesetzt,



Menü	Standard
Stabilitätsbereich	1d
Automatische Nullverfolgung	0,5d
Filterstufe:	ME
Hintergrundbeleuchtung	Auto
Automatisches Abschalten	Ein

EICHPFLICHTIG

Dieses Menüobjekt steht nur bei den Modellen V31XW301, V31XW3, V31XW6, V31X3N und V31X6N zur Verfügung. Einzelheiten sind in Abschnitt 5 enthalten.

Die eichpflichtige Anwendung auf ON (Ein) oder OFF (Aus) stellen.



HINWEIS: Wenn die Eichpflichtigkeitsanwendung eingeschaltet ist (ON), hat dies die folgenden Auswirkungen auf die Menüeinstellungen:

- Die Kalibrierung ist deaktiviert und ausgeblendet.
- Die Einstellung des Stabilitätsbereichs ist in der Einstellung 1d verriegelt und ausgeblendet.
- Die Bereichseinstellung der automatischen Nullverfolgung ist in der Einstellung 0,5d verriegelt und ausgeblendet.
- Die Einheit beim Einschalten ist in der aktuellen Einstellung verriegelt und ausgeblendet.
- Die Filtereinstellung ist in der aktuellen Einstellung verriegelt und ausgeblendet.
- Die Hintergrundbeleuchtung ist entriegelt und sichtbar.
- Die automatische Ausschalteneinstellung ist entriegelt und sichtbar.
- Die Einstellung der globalen Rücksetzung ist in der Einstellung NO (Nein) verriegelt und ausgeblendet.
- Die Einheiten Kilogramm, Gramm, Pfund (lb) und Unze sind in ihrer jeweiligen aktuellen Einstellung verriegelt (ON/Ein oder OFF/Aus) und ausgeblendet.
- Die Einheiten Pfund:Unze und Flüssigunze sind in der ausgeschalteten (OFF) Einstellung verriegelt und ausgeblendet.
- Der Prozentmodus ist in der aktuellen Einstellung verriegelt (ON/Ein oder OFF/Aus) und ausgeblendet.
- Der Modus „Spezifisches Gewicht“ ist in der ausgeschalteten Einstellung (OFF) verriegelt und ausgeblendet.

HINWEIS: Wenn „eichpflichtig“ auf ON (Ein) geschaltet ist, muss der Sicherheitsschalter vor Verlassen des Menüs auf ON (Ein) gestellt werden. Wenn der

Sicherheitsschalter nicht auf ON (Ein) gestellt ist, wird die Nachricht „SW.OFF“ (Schalter aus) angezeigt, und der Indikator kehrt zum Menü zurück.

ENDE

Vorrücken zum Menü Unit/Mode (Yes) (Einheit/Modus) oder zurück zu Setup (No),

4,3 Menü Einheit/Modus

GRAMMEINHEIT

Stellt Gramm auf ON (Ein) oder OFF (Aus),



KILOGRAMMEINHEIT

Stellt Kilogramm auf ON (Ein) oder OFF (Aus),



PFUNDEINHEIT

Stellt Pfund (lbs) auf ON (Ein) oder OFF (Aus),



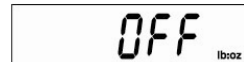
UNZENEINHEIT

Stellt Unzen auf ON (Ein) oder OFF (Aus), Bei der Wahl von ON muss zwischen DEC (Dezimal-Unzen) und FrA (Fraktional-Unzen) gewählt werden,



PFUND-/UNZENEINHEIT

Stellt Pfund-Unzen auf ON (Ein) oder OFF (Aus), Bei der Wahl von ON muss zwischen DEC (Dezimal-Unzen) und FrA (Fraktional-Unzen) gewählt werden,



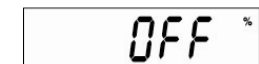
FLÜSSIGUNZENMODUS

Stellt Flüssigunzen auf ON (Ein) oder OFF (Aus),



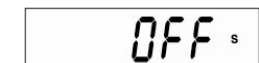
PROZENTMODUS

Stellt Prozent auf ON (Ein) oder OFF (Aus),



MODUS „SPEZIFISCHES GEWICHT“

Stellt das spezifische Gewicht auf ON (Ein) oder OFF (Aus),



ENDE

Rückkehr zur vorherigen Einheit bzw, zum vorherigen Modus (Yes) oder g (No),

5. EICHPFLICHTIG

Wenn ein Modell V31XW301, V31XW3, V31XW6, V31X3N oder V31X6N in einer eichpflichtigen oder einer gesetzlich geregelten Anwendung verwendet wird, muss es gemäß den jeweiligen Eichamtsbestimmungen eingestellt, verifiziert und versiegelt werden. Der Käufer muss sicherstellen, dass alle zutreffenden gesetzlichen Auflagen erfüllt werden.

5.1 Einstellungen

Vor der Verifizierung und Versiegelung sind folgende Schritte auszuführen:

- Einstellen des Sicherheitsschalters in die OFF-Position (Aus).
- Einstellen von LFT im Setup-Menü auf OFF (Aus).
- Kalibrieren der Waage.
- Aufrufen des Menüs „Units“ (Einheiten).
- Einstellen der gewünschten Maßeinheiten auf ON (Ein).
- Beenden des Einheitenmenüs „Units“.
- Aufrufen des Setup-Menüs.
- Einstellen der gewünschten Filterebene.
- Einstellen der gewünschten Einheit beim Einschalten.
- Einschalten von LFT (ON).
- Einschalten des Sicherheitsschalters (ON).
- Beenden des Setup-Menüs.

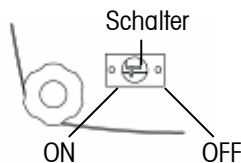


Abbildung 5-1. Sicherheitsschaltereinstellungen

5.2 Verifizierung

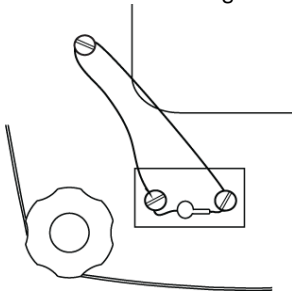
Der zuständige Beamte an der örtlichen Behörde für Maße und Gewichte oder ein entsprechend befugter Dienstvertreter muss den Verifizierungsvorgang vornehmen.

5.3 Versiegeln

Der zuständige Beamte an der örtlichen Behörde für Maße und Gewichte oder ein entsprechend befugter Dienstvertreter muss ein Sicherheitssiegel anbringen, um Manipulierungen an den Einstellungen zu verhindern. Hinsichtlich der Versiegelungsmethoden beziehen Sie sich bitte auf die Abbildungen weiter unten.

Drahtplombe

Die Distanzstücke unter den Kreuzbohrungsschrauben entfernen. Die Schrauben wieder installieren und den Draht durch die Kreuzbohrungen führen.



Papiersiegel

Die Papiersiegel über den Schrauben und den Versiegelungs-Distanzstücken anbringen.

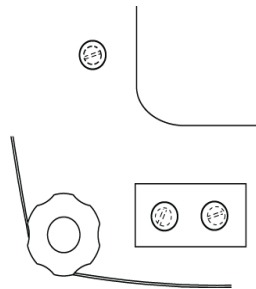


Abbildung 5-2. Versiegelungsmethoden.

6, WARTUNG

6,1 Fehlersuche

In der folgenden Tabelle sind häufig vorkommende Probleme, ihre möglichen Ursachen und Abhilfemaßnahmen aufgeführt, Falls das Problem weiterhin auftritt, wenden Sie sich an Ohaus oder Ihren Vertragshändler,

TABELLE 6-1, FEHLERSUCHE,

Symptom	Mögliche Ursache	Abhilfemaßnahme
Kann nicht eingeschaltet werden	Keine Stromzufuhr zur Waage	Anschlüsse und Spannung überprüfen,
Schlechte Genauigkeit	Falsche Kalibrierung • Instabile Umgebung	Kalibrierung durchführen • Waage an geeigneten Standort bringen
Lässt sich nicht kalibrieren	Instabile Umgebung • Falsches Kalibriergewicht	Waage an einen geeigneten Standort verlegen • Richtiges Kalibriergewicht verwenden
Modus kann nicht aufgerufen werden	Modus nicht aktiviert	Menü aufrufen und Modus aktivieren
Einheit kann nicht aufgerufen werden	Einheit nicht aktiviert	Menü aufrufen und Einheit aktivieren
Err 8,1	Schale ist beim Einschalten belastet	Gewicht von der Schale abnehmen und erneut auf Null stellen,
Err 8,2	Schale wurde vor dem Einschalten abgenommen	Schale wieder aufbringen und erneut auf Null stellen,
OVER	Gewicht auf Schale überschreitet Kapazität	Gewicht von der Schale abnehmen,
UNDER	Schale wurde während der Wägung abgenommen	Schale wieder aufbringen
Err 9	Werkseitige Kalibrierdaten beschädigt	Ohaus oder einen zugelassenen Service-Vertreter verständigen • Service-Kalibrierung durchführen
REF Err	Bezugsgewicht ist zu gering	Größere Probe verwenden
LOWREF	Bezugsgewicht ist für eine genaue Prozentwägung zu niedrig,	Weiterhin mit weniger genauen Ergebnissen wiegen

6,2 Wartungsinformationen

Wenn Ihr Problem im Abschnitt „Fehlersuche“ nicht gelöst oder beschrieben wird, wenden Sie sich an Ihren zugelassenen Service-Vertreter von Ohaus, Wenn Sie in den Vereinigten Staaten Hilfe oder technischen Support benötigen, rufen Sie bitte die folgende (in den USA) gebührenfreie Nummer an: 1-800-526-0659 zwischen 8,00 und 17 Uhr amerikanischer Ostküstenzeit, Ein Produktservice-Spezialist von Ohaus wird Ihnen dann weiterhelfen, Außerhalb der USA besuchen Sie unsere Website www.ohaus.com, um die für Sie am nächsten gelegene Ohaus-Geschäftsstelle zu finden,

7, TECHNISCHE DATEN

Die technischen Daten gelten bei folgenden Umgebungsbedingungen:

Umgebungstemperatur: 0 °C bis 40 °C

Relative Feuchte: 10 % bis 95 % relative Feuchtigkeit, nicht kondensierend

Höhe über dem Meeresspiegel: bis zu 4000 m

Die Betriebsfähigkeit wird bei Umgebungstemperaturen zwischen 0 °C und 40 °C gewährleistet,

Stromversorgung

Netzadapter – 9 V DC @ 1.2A max-Ausgang

Schutzklasse

Geschützt gegen Staub und Wasser

Verschmutzungsgrad: 2

Installationskategorie: Klasse III

EMC: Siehe Konformitätserklärung

7,1 Spezifikationen

TABELLE 7-1, SPEZIFIKATIONEN

Modell	V31XH202	V31XH402	V31XH2	V31XH4	V31X501
Kapazität	200	400	2000	4000	500
Wiederholbarkeit (g)	0,01		0,1		
Linearität (g) (+/-)	±0,01		±0,1		
Klasse	-				
Schutz gegen Eindringen	-				
Wä geeinheiten	g, kg, lb, oz, lb:oz				
Anwendungsmodi	Wägen, Prozentwägen, spezifisches Gewicht, Flüssigunzen				
Tarierbereich	Auf Kapazität durch Subtraktion				
Stabilisierungszeit	≤3 Sekunden				
Leistungsanforderungen	Netzadapter, 9 V DC @ 1.2A max, (im Lieferumfang enthalten) oder 4 Batterien des Typs „C“ (LR14) (nicht inbegriffen)				
Kalibrierung	Digital mit externem Gewicht				
Anzeigetyp	6-stellige LCD mit 7 Segmenten und weißer LED-Hintergrundbeleuchtung				
Anzeigegröße	Ziffern 15 mm / 0,6"				
Tastenfeld	3-Tasten-Folie				
Schalengröße (mm / in)	120 / 4,7		146 x 158 / 5,7 x 6,2		120 / 4,7
Nettogewicht (kg / lb)	1,2 / 2,6		1,3 / 2,9		1,2 / 2,6
Versandgewicht (kg / lb)	2,0 / 4,3		2,1 / 4,6		2,0 / 4,3

TABELLE 7-1, SPEZIFIKATIONEN

Modell	V31X3	V31X6	V31XW301	V31XW3/ V31X3N	V31XW6/ V31X6N
Kapazität	3000	6000	300	3000	6000
Wiederholbarkeit (g)	1		0,2	1	2
Linearität (g) (+/-)	±1		±0,2	±1	±2
Klasse	-		III		
Schutz gegen Eindringen	-		IP65 / *		
Wägeeinheiten	g, kg, lb, oz, lb:oz				
Anwendungsmodi	Wägen, Prozentwägen, spezifisches Gewicht, Flüssigunzen				
Tarierbereich	Auf Kapazität durch Subtraktion				
Stabilisierungszeit	≤3 Sekunden				
Leistungsanforderungen	Netzadapter, 9 V DC @ 1.2A max, (im Lieferumfang enthalten) oder 4 Batterien des Typs „C“ (LR14) (nicht inbegriffen)				
Kalibrierung	Digital mit externem Gewicht				
Anzeigetyp	6-stellige LCD mit 7 Segmenten und weißer LED-Hintergrundbeleuchtung				
Anzeigegröße	Ziffern 15 mm / 0,6"				
Tastenfeld	3-Tasten-Folie				
Schalengröße (mm / in)	146 x 158 / 5,7 x 6,2				
Nettogewicht (kg / lb)	1,3 / 2,9		1,4 / 3,1		
Versandgewicht (kg / lb)	2,1 / 4,6		2,2 / 4,8		

* Modelle V31X3N und V31X6N erfüllen nicht die Schutzart IP65.

7,2, Kapazität und Ablesbarkeit

TABELLE 7-2, KAPAZITÄT UND ABLESBARKEIT,

EINHEITEN	SICHERHEITS SCHALTER	MODELLE				
		V31XH202	V31XH402	V31XH2	V31XH4	V31XH501
g	ON	NA	NA	NA	NA	NA
	OFF	200,00 x 0,01	400,00 x 0,01	2000,0 x 0,1	4000,0 x 0,1	500,0 x 0,1
kg	ON	NA	NA	NA	NA	NA
	OFF	0,20000 x 0,00001	0,40000 x 0,00001	2,0000 x 0,0001	4,0000 x 0,0001	0,5000 x 0,0001
oz	ON	NA	NA	NA	NA	NA
	OFF	7,0550 x 0,0005	14,1095 x 0,0005	70,550 x 0,005	141,095 x 0,005	17,635 x 0,005
lb	ON	NA	NA	NA	NA	NA
	OFF	0,44090 x 0,00005	0,88185 x 0,00005	4,4090 x 0,0005	8,81850 x 0,0005	1,1025 x 0,0005
lb:oz	ON			NA	NA	NA
	OFF	NA	NA	4lb : 6,55 oz x 0,01 oz	8lb : 13,10 oz x 0,01 oz	1lb : 1,64 oz x 0,01 oz
oz (fra)	ON	NA	NA	NA	NA	NA
	OFF	7 x 1/8	14 1/8 x 1/8	70 ½ x 1/8	141 1/8 x 1/8	17 5/8 x 1/8
lb: oz (fra)	ON			NA	NA	NA
	OFF	NA	NA	4lb : 6 ½ oz x 1/8 oz	8lb : 13 1/8 x 1/8 oz	1lb : 1 5/8 oz x 1/8 oz
fl	ON	NA	NA	NA	NA	NA
	OFF	6,7630 x 0,0005	13,5255 x 0,0005	67,630 x 0,005	135,255 x 0,005	16,905 x 0,005

TABELLE 7-2, KAPAZITÄT UND ABLESBARKEIT,

EINHEITEN	SICHERHEITS SCHALTER	MODELLE				
		V31X3	V31X6	V31XW301	V31XW3 / V31X3N	V31XW6 / V31X6N
g	ON	entfällt	entfällt	300,0 x 0,2	3000 x 1	6000 x 2
	OFF	3000 x 1	6000 x 1	300,0 x 0,1	3000,0 x 0,5	6000 x 1
kg	ON	entfällt	entfällt	0,3000 x 0,0002	3,000 x 0,001	6,000 x 0,002
	OFF	3,000 x 0,001	6,000 x 0,001	0,3000 x 0,0001	3,0000 x 0,0005	6,000 x 0,001
oz	ON	entfällt	entfällt	10,58 x 0,01	105,80 x 0,05	211,6 x 0,1
	OFF	105,80 x 0,05	211,65 x 0,05	10,585 x 0,005	105,80 x 0,02	211,60 x 0,05
lb	ON	entfällt	entfällt	0,6615 x 0,0005	6,615 x 0,005	13,225 x 0,005
	OFF	6,615 x 0,005	13,230 x 0,005	0,6615 x 0,0005	6,615 x 0,002	13,225 x 0,005
lb:oz	ON	entfällt	entfällt	entfällt	6 lb : 9,80 oz x 0,05 oz	13 lb : 3,6 oz x 0,1 oz
	OFF	6 lb : 9,80 oz x 0,05 oz	13lb : 3,65 oz x 0,05 oz	entfällt	6 lb : 9,80 oz x 0,02 oz	13 lb : 3,60 oz x 0,05 oz
oz (fra)	ON	entfällt	entfällt	10 ½ x 1/8	105 ½ x 1/8	211 ½ x 1/8
	OFF	105 ½ x 1/8	211 ½ x 1/8	10 ½ x 1/8	105 ½ x 1/8	211 ½ x 1/8
lb: oz (fra)	ON	entfällt	entfällt	entfällt	6lb : 9 ½ oz x 1/8oz	13 lb : 3 ½ oz x 1/8oz
	OFF	6lb : 9 ½ oz x 1/8 oz	13 lb : 3 ½ oz x 1/8 oz	entfällt	6lb : 9 ½ oz x 1/8 oz	13 lb : 3 ½ oz x 1/8 oz
fl	ON	entfällt	entfällt	10,14 x 0,01	101,45 x 0,05	202,9 x 0,1
	OFF	101,45 x 0,05	202,90 x 0,05	10,140 x 0,005	101,44 x 0,02	202,90 x 0,05

7,3 Zeichnungen

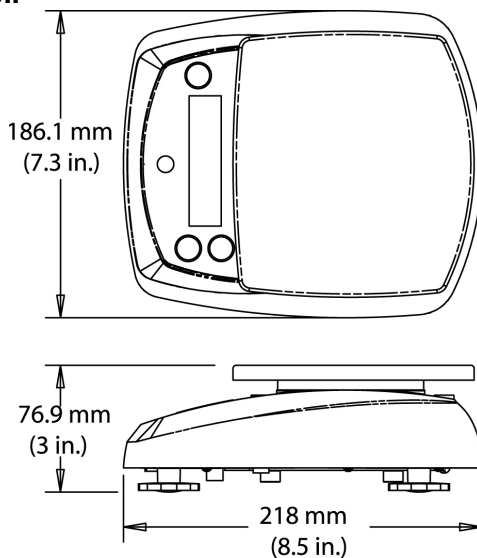


Abbildung 7-1, Alle Modelle außer V31XH202, V31XH402, V31X501

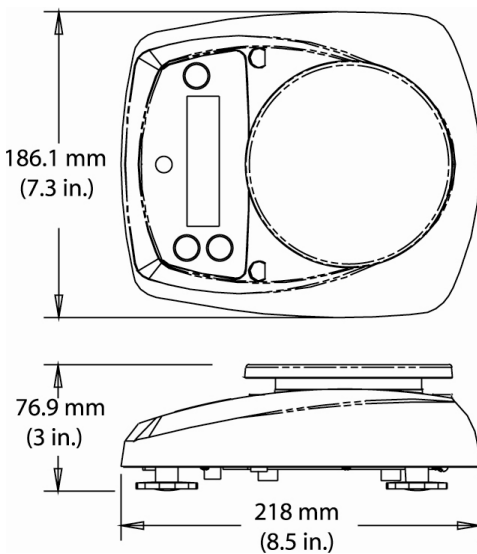


Abbildung 7-2, Modell V31XH202, V31XH402, V31X501

Accessories

Schieben Sie die Zubehörteile über die Rückseite der Schalenbaugruppe und positionieren Sie sie wie in den nachstehenden Abbildungen dargestellt.

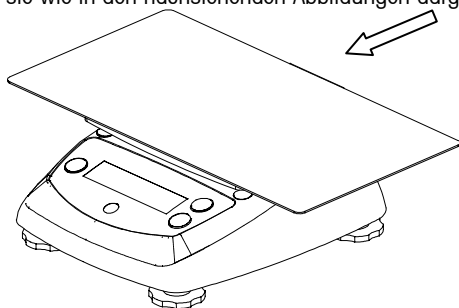


Figure 7-3. Sandwich-Schale

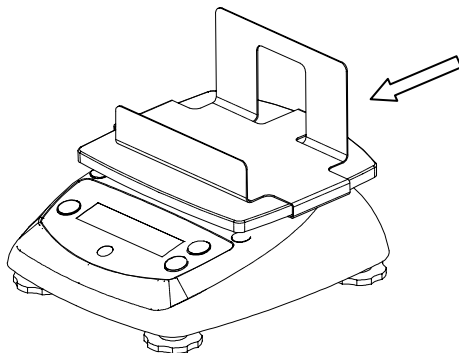


Figure 7-4. Frittenhalter

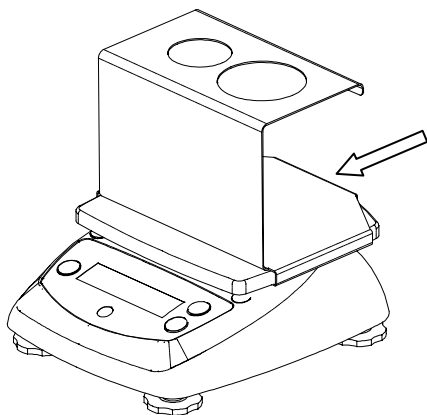






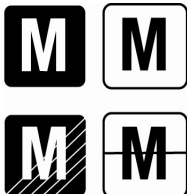
Figure 7-5. Eiswaffelhalter

7,4 Befolgung

Befolgung zu den folgenden Standards wird durch die entsprechende Markierung auf dem Produkt angezeigt.

Markierung	Sie Standard
	Dieses Produkt entspricht der EMC-Richtlinie 2004/108/EC, der Niederspannungsrichtlinie 2006/95/EC und der Richtlinie 90/384/EEC für nicht selbsttätige Waagen. Die vollständige Konformitätserklärung ist bei der Ohaus Corporation erhältlich.
	AS/NZS4251,1; AS/NZS4252,1
	NSF/ANSI 169 - 2005
	NSF/ANSI /3-A 14159-1 - 2002

Wichtiger Hinweis für verifizierte Wäageinstrumente



Wäageinstrumente, die am Herstellungsort verifiziert werden, tragen eine der oben angeführten Marken auf dem Verpackungsetikett sowie einen grünen „M“-Aufkleber (Messtechnik) auf dem Schild mit der Beschreibung, Sie können sofort in Betrieb genommen werden,

Bei Wäageinstrumenten, die in zwei Phasen verifiziert werden müssen, befindet sich auf dem Schild mit der Beschreibung kein grüner „M“-Aufkleber (Messtechnik) und sie tragen eine der oben angeführten Identifikationsmarkierungen auf dem Verpackungsetikett. Die zweite Phase der anfänglichen Verifizierung muss von der zugelassenen Servicebehörde des Vertragshändlers innerhalb der EU oder durch nationale Behörden für Maße u. Gewichte durchgeführt werden,

Die erste Phase der anfänglichen Verifizierung wurde am Arbeitsort des Herstellers durchgeführt, Sie umfasst alle Tests gemäß dem verabschiedeten europäischen Standard EN 45501:1992, Absatz 8,2,2,

Falls der Gültigkeitszeitraum der Verifizierung durch nationale Vorschriften eingeschränkt wird, muss der Benutzer des Wäageinstruments die Neuverifizierungsfrist streng einhalten und die entsprechenden Behörden für Maße und Gewichte informieren,

Entsorgung

In Übereinstimmung mit den Anforderungen der Europäischen Richtlinie 2002/96 EG über Elektro- und Elektronik-Altgeräte (WEEE) darf dieses Gerät nicht mit dem Hausmüll entsorgt werden, Sinngemäss gilt dies auch für Länder ausserhalb der EU entsprechend den geltenden nationalen Regelungen,



Bitte entsorgen Sie dieses Produkt gemäss den örtlichen Bestimmungen in einer getrennten Sammlung für Elektro- und Elektronikgeräte,

Bei allfälligen Fragen wenden Sie sich bitte an die zuständige Behörde oder den Händler, bei dem Sie dieses Gerät erworben haben,

Bei Weitergabe dieses Gerätes (z.B. für private oder gewerbliche/industrielle Wiedernutzung) ist diese Bestimmung sinngemäss weiterzugeben,

Vielen Dank für Ihren Beitrag zum Schutz der Umwelt,

Anweisungen zur Entsorgung in Europa finden Sie unter www.ohaus.com/weee.

Registrierung nach ISO 9001

Im Jahr 1994 wurde der Ohaus Corporation, USA, ein Zertifikat der Registrierung nach ISO 9001 vom Bureau Veritas Quality International (BVQI) verliehen, in dem bestätigt wird, dass das Ohaus-Qualitätsmanagementsystem den Anforderungen der Norm ISO 9001 entspricht, Am 15. Mai 2003 wurde die Ohaus Corporation, USA, gemäß der Norm ISO 9001:2000 neu registriert,

BESCHRÄNKTE GARANTIE

Auf Ohaus-Produkte wird ab Datum der Auslieferung über die Dauer des Garantiezeitraums hinweg eine Garantie gegen Material- und Herstellungsmängel gegeben, Während des Garantiezeitraums wird Ohaus kostenlos jegliche Komponente(n), die sich als defekt erweist (erweisen), reparieren oder nach eigenem Ermessen ersetzen, wenn das Produkt bei Vorauszahlung der Versandkosten an Ohaus zurückgeschickt wird,

Die Garantie gilt nicht, wenn das Produkt durch einen Unfall oder durch Missbrauch beschädigt wurde, wenn es radioaktiven oder korrodierenden Materialien ausgesetzt wurde, wenn Fremdkörper das Innere des Produkts durchdrungen haben oder wenn es auf Grund einer Reparatur oder Modifikation beschädigt wurde, die nicht von Ohaus durchgeführt wurde, Wenn keine ordnungsgemäß zurückgeschickte Garantierregistrierungskarte vorliegt, beginnt der Garantiezeitraum am Datum der Lieferung an den Vertragshändler, Die Ohaus Corporation gibt keine sonstige ausdrückliche oder stillschweigende Garantie, Die Ohaus Corporation ist nicht für irgendwelche Folgeschäden haftbar,

Da die Gesetzgebung in Bezug auf Garantien von Bundesstaat zu Bundesstaat und von Land zu Land unterschiedlich ist, wenden Sie sich bitte an Ohaus oder Ihren örtlichen Ohaus-Händler, wenn Sie weitere Einzelheiten erfahren wollen,

1, INTRODUZIONE

Questo manuale illustra l'installazione, il funzionamento e la manutenzione della serie di bilance Valor 3000, Leggere il manuale completamente prima di utilizzare la bilancia,

1,1 Precauzioni di sicurezza

Seguire le precauzioni di sicurezza esposte di seguito:

- Verificare che la tensione d'ingresso dell'adattatore CA corrisponda alla tensione di rete,
- Utilizzare la bilancia solo in luoghi asciutti,
- Non utilizzare la bilancia in ambienti difficili,
- Non far cadere pesi sulla piattaforma,
- Non capovolgere la bilancia con il vassoio rivolto verso il basso,
- Fare eseguire la manutenzione solo da personale autorizzato,

1,2, Controlli

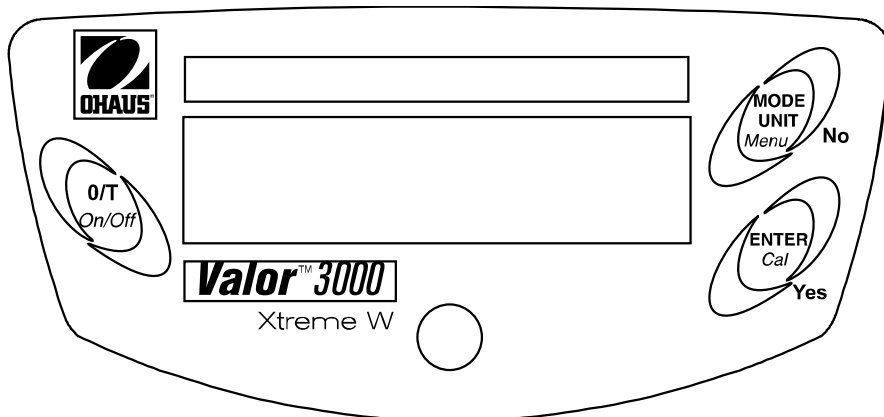


Figura 1-1, Controlli,

TABELLA 1-1 FUNZIONI DI CONTROLLO

Pulsante	Funzioni	
0/T On/Off (Zero/Tara Accensione/spegnimento)	Pressione breve: (quando spento) (quando accesa) Pressione lunga:	Accende la bilancia Azzerà il display Tara il peso dell'elemento sul vassoio spegne la bilancia
MODE/UNIT Menu (Menu MODALITÀ/UNITÀ)	Pressione breve: Pressione lunga: Pressione breve (Menu)	Passa attraverso le unità e le modalità attive Accede al menu "No" (alterna le impostazioni disponibili)
ENTER Cal (INVIOTaratura)	Pressione breve: Pressione lunga: Pressione breve (Menu)	Memorizza il 100% dei riferimenti in modalità % Memorizza il campione di riferimento in modalità SG Avvia il processo di taratura a intervallo "Yes" ("S") (seleziona/accetta le impostazioni visualizzate)

2, INSTALLAZIONE

2,1 Contenuto della confezione

- Bilancia
- Vassoio
- Alimentatore di rete
- Manuale di istruzioni
- Scheda di garanzia

2,2, Ubicazione

Utilizzare la bilancia su una superficie solida e ferma, Evitare luoghi con correnti d'aria, vibrazioni, fonti di calore eccessive o variazioni rapide di temperatura, regolare i piedini in modo da centrare la bolla nel cerchio,

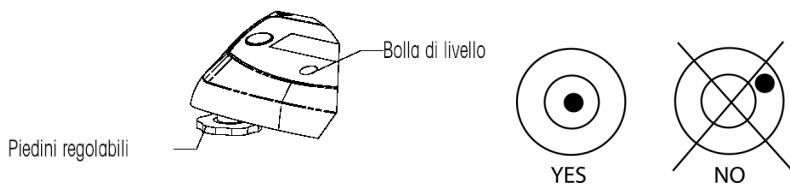


Figura 2-1, Messa a livello della bilancia,

2,3, Blocco trasporto

Aprire il coperchio della batteria, Portare l'interruttore di blocco trasporto sulla posizione "Unlock" ("Sblocco"), Installare quattro batterie a C (LR14), se si desidera, Reinstallare il coperchio,

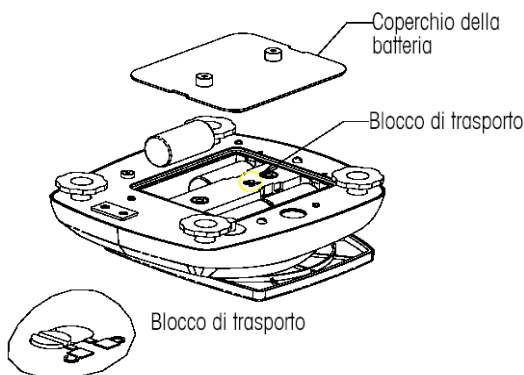


Figura 2-2, Installazione della batteria,

2,4 Alimentazione

Quando l'alimentazione a batteria non è disponibile, per avviare la bilancia è possibile utilizzare l'alimentatore di rete (incluso), Rimuovere il tappo in gomma nella parte inferiore, Conservarlo nell'apposito vano, Collegare la presa dell'alimentatore di rete allo spinotto di ingresso,

NOTA: per impedire l'ingresso di acqua durante le operazioni di pulizia, inserire di nuovo il tappo in gomma nel vano dello spinotto di ingresso,

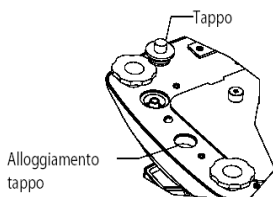


Figure 2-3, Collegamento e tappo dell'alimentazione,

2,5 Taratura iniziale

Per ottenere risultati precisi di pesa, è necessario tarare la bilancia al primo utilizzo, Tenere premuto il pulsante UNITS Cal (UNITÀ Taratura) fino alla visualizzazione del

messaggio "CAL" (TARATURA), Quando il pulsante viene premuto e rilasciato nuovamente, sul display viene visualizzato –C- mentre viene memorizzata la lettura dello zero, Quindi sul display viene visualizzato il valore del peso della taratura in grammi, Disporre il peso di taratura specificato (venduto separatamente) sul vassoio, Per i pesi appropriati, fare riferimento alla Tabella 2-1, Sul display viene visualizzato –C- mentre viene memorizzata la lettura, Il display ritorna alla modalità di applicazione precedente e la bilancia è pronta per l'uso,

TABELLA 2-1, PESI DI TARATURA,

MODELLI					
	V31XH202	V31XH402	V31XH2	V31XH4	V31XH501
Pesi Taratura	200g	400 g	2 kg	4 kg	500 g
MODELLI					
	V31X3	V31X6	V31XW301	V31XW3 / V31X3N	V31XW6 / V31X6N
Pesi Taratura	3 kg	6 kg	300 g	3 kg	6 kg

3, FUNZIONAMENTO

3,1 Modalità Weighing (Pesa)

Utilizzare questa modalità per la misurazione del peso di un campione, tramite un'unità di misura selezionata,

- 1, Premere **MODE/UNIT/Menu** (Modalità/Unità/Menu) fino alla visualizzazione dell'icona desiderata,
- 2, Posizionare un contenitore vuoto sul vassoio, quindi premere il pulsante **0/T/On/Off** (Zero/Tara/Accensione/Spegnimento) per la taratura del peso del contenitore,
- 3, Aggiungere il materiale nel contenitore, Sul display viene visualizzato il peso del materiale,

3,2 Modalità Percent (Percentuale)

Utilizzare questa modalità per misurare il peso di un campione come percentuale di un peso di riferimento,

- 1, Premere **MODE/UNIT/Menu** (MODALITÀ/UNITÀ/Menu) fino alla visualizzazione di Set,rEF e dell'icona %,
- 2, Premere **No** per utilizzare il peso di riferimento memorizzato e passare alla fase 6,
- 3, Altrimenti, premere **Yes** (Si) per stabilire un nuovo riferimento, Il display della bilancia lampeggia fino alla memorizzazione del riferimento,
- 4, Posizionare un contenitore vuoto sul vassoio, quindi premere il pulsante **0/T/On/Off** (Zero/Tara/Accensione/Spegnimento), per la taratura del peso del contenitore,
- 5, Aggiungere al contenitore la quantità di materiale desiderata, quindi premere **ENTER/Cal** (INVIO/Taratura) per la memorizzazione del peso visualizzato, Sul display viene visualizzato 100%,
- 6, Sostituire il materiale di riferimento con il nuovo materiale, Sul display viene visualizzata la percentuale del campione confrontata con il peso di riferimento

3,3 Modalità Specific Gravity (Densità relativa)

Utilizzare questa modalità per la misurazione della densità relativa di un campione,

- 1, Premere **MODE/UNIT/Menu** (MODALITÀ/UNITÀ/Menu) fino alla visualizzazione di Set,rEF e dell'icona S,
- 2, Premere **No** per utilizzare il peso di riferimento memorizzato e passare alla fase 6,
- 3, Altrimenti, premere Yes (Si) per stabilire un nuovo peso di riferimento, Il display della bilancia lampeggia fino alla memorizzazione del riferimento,
- 4, Posizionare un contenitore vuoto sul vassoio, quindi premere il pulsante **0/T/On/Off** (Zero/Tara/Accensione/Spegnimento) per la taratura del peso del contenitore,
- 5, Riempire il contenitore con acqua, quindi premere **ENTER/Cal** (INVIO/Taratura), per la memorizzazione del peso visualizzato, Sul display viene visualizzato il peso dell'acqua e l'icona S lampeggiante,
- 6, Sostituire l'acqua con un volume pari di materiale del campione e premere **ENTER/Cal** (INVIO/Taratura), Sul display viene visualizzata la densità relativa del campione,

3,4 Modalità Fluid Ounce (Oncia liquida)

Utilizzare questa modalità per la misurazione volume di un campione in once liquide,

- 1, Premere **MODE/UNIT/Menu** (MODALITÀ/UNITÀ/Menu) fino alla visualizzazione dell'icona FL,
- 2, Posizionare un contenitore vuoto sul vassoio, quindi premere il pulsante **0/T/On/Off** per la taratura del peso del contenitore,
- 3, Riempire il contenitore con il materiale del campione, Sul display viene visualizzato il volume del campione,

4, IMPOSTAZIONI

Menu che consente agli utenti la personalizzazione delle impostazioni della bilancia,

4,1 Navigazione tra i Menu

Tenere premuto il pulsante **MODE/UNIT/Menu** (MODALITÀ/UNITÀ/Menu) fino alla visualizzazione di SETUP, quindi rilasciarlo,

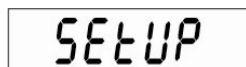
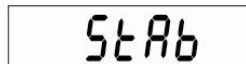
Premere il pulsante **No** per avanzare alla selezione successiva del menu,

Una volta nel menu, premere **Yes** (Si) per visualizzare le impostazioni relative a una voce o premere **No** per passare alla voce successiva, Durante la visualizzazione delle impostazioni, premere **Yes** (Si) per accettarle o **No** per modificarle, Quando viene visualizzato End (Fine), premere **Yes** (Si) per passare al menu successivo o **No** per tornare all'inizio del menu corrente,

4,2 Setup Menu (Menu di configurazione)

INTERVALLO DI STABILITÀ

Imposta l'intervallo di stabilità a 0,5 d, **1 d**, 2 d o 5 d (divisioni),

A rectangular box containing the word "SETUP" in a digital, seven-segment font.A rectangular box containing the word "STAB" in a digital, seven-segment font.

INTERVALLO DI CONTROLLO DELLO ZERO AUTOMATICO

Imposta l'intervallo di controllo dello zero automatico su OFF (Spento) **0,5 d**, 1 d, 3 d (divisioni),

A rectangular box containing the text "A2t" in a digital, seven-segment font.


LIVELLO FILTRO

Imposta il livello del filtro su LO (Basso), **ME** (Medio), o HI (Alto),

A rectangular box containing the word "FILTER" in a digital, seven-segment font.

RETROILLUMINAZIONE

Imposta la funzione di retroilluminazione su OFF (Spento) (sempre spento), ON (Acceso) (sempre acceso) o **Auto** (Automatico) (si accende alla pressione di un tasto o alla modifica del peso visualizzato),

A rectangular box containing the word "LIGHT" in a digital, seven-segment font.

SPEGNIMENTO AUTOMATICO

Attiva la funzione di spegnimento automatico (**ON**)(spegnimento dopo cinque minuti) o la disattiva (OFF) (rimane acceso),

A rectangular box containing the text "A OFF" in a digital, seven-segment font.

UNITÀ DI ACCENSIONE

Imposta l'unità di misura visualizzata all'accensione su g, kg, libbra, oncia o libbra:onzia,

RIPRISTINO GLOBALE

Selezionare YES (Sì) (reimposta i menu ai valori predefiniti di fabbrica) o NO (non reimpostare),

Le unità verranno reimpostate ai valori predefiniti di fabbrica,

Menu	Valore predefinito
Intervallo di stabilità	1 d
Controllo dello zero automatico	0,5 d
Livello filtro	ME
Retroilluminazione	Automatico
Spegnimento automatico	Acceso

LEGALE PER IL COMMERCIO

La presente voce di menu è prevista solo nei modelli V31XW301, V31XW3, V31XW6, V31X3N e V31X6N. Per informazioni dettagliate, fare riferimento alla Sezione 5. Attivare o disattivare la funzionalità legale per il commercio.

NOTA: l'attivazione della funzione Legal for Trade (Legale per il commercio) ha effetto sulle seguenti impostazioni di menu:

- La funzionalità di regolazione è disattivata e non viene visualizzata.
- L'impostazione della gamma di stabilità è bloccata sull'impostazione 1d e non viene visualizzata.
- L'impostazione della gamma di controllo dello zero automatico è bloccata su 0,5d e non viene visualizzata.
- La funzionalità dell'unità all'accensione è bloccata sull'impostazione corrente e non viene visualizzata.
- L'impostazione del filtro è bloccata sull'impostazione corrente e non viene visualizzata.
- L'impostazione di retroilluminazione non è bloccata e viene visualizzata.
- L'impostazione di spegnimento automatico non è bloccata e viene visualizzata.
- L'impostazione di reimpostazione globale è bloccata su nessuna impostazione e non viene visualizzata.
- Le unità chilogrammo, libbra e oncia sono bloccate all'impostazione corrente (attivate o disattivate) e non vengono visualizzate.
- Le unità libbra: oncia e oncia liquida sono bloccate all'impostazione OFF e non vengono visualizzate.
- La modalità percentuale è bloccata sull'impostazione corrente (attivata o

disattivata) e non viene visualizzata.

- La modalità di densità relativa è bloccata sull'impostazione OFF e non viene visualizzata.

NOTA: quando è attivo Legal for Trade (Legale per il commercio), è necessario attivare l'interruttore di sicurezza prima di uscire dal menu. Se l'interruttore di sicurezza non è attivato, viene visualizzato il messaggio "SW.OFF" e l'indicatore torna al menu.

END (FINE):

avanza a Unit/Mode menu (Unità/Modalità menu) (Yes (Sì)) o indietro a Setup (Configurazione) (No),

4,3 Unit/Mode Menu (Unità/Modalità menu)

UNITÀ GRAMMI

Attiva (ON) o disattiva (OFF) i grammi,



UNITÀ CHILOGRAMMI

Attiva (ON) o disattiva (OFF) i chilogrammi,



UNITÀ LIBBRA

Attiva (ON) o disattiva (OFF) le libbre,



UNITÀ ONCE

Attiva (ON) o disattiva (OFF) le once, Se viene selezionato ON (Attivo), impostare DEC (once decimali) o FrA (once frazionali)



UNITÀ LIBBRA ONCIA

Attiva (ON) o disattiva (OFF) le libbre once, Se viene selezionato ON (Attivo), impostare DEC (once decimali) o FrA (once frazionali)



MODALITÀ ONCIA LIQUIDA

Attiva (ON) o disattiva (OFF) le once liquide,



MODALITÀ PERCENTUALE

Attiva (ON) o disattiva (OFF) la modalità percentuale,



MODALITÀ DETERMINAZIONE DENSITÀ RELATIVA

Attiva (ON) o disattiva (OFF) la densità relativa,



FINE

Torna a Unit/Mode menu (Unità/Modalità menu) precedente (Yes (Sì)) o a g (No),

5. LEGALE PER IL COMMERCIO

Quando uno dei modelli V31XW301, V31XW3, V31XW6, V31X3N o V31X6N viene utilizzato per il commercio o per un'applicazione con approvazione legale, deve essere configurato, verificato e sigillato in rispetto delle normative su pesi e misure locali. Ricade sotto la responsabilità dell'acquirente accertarsi che vengano soddisfatti tutti i requisiti normativi necessari..

5.1 Impostazioni

Prima della verifica e della sigillatura, effettuare le seguenti operazioni:

- Posizionare l'interruttore di sicurezza su OFF.
- Disattivare LFT dal menu di configurazione.
- Tarare la bilancia.
- Accedere al menu delle unità.
- Attivare le unità di misura desiderate.
- Uscire dal menu delle unità.
- Accedere al menu di configurazione.
- Impostare il livello desiderato del filtro.
- Attivare le unità all'accensione desiderata.
- Attivare LFT.
- Posizionare l'interruttore di sicurezza su ON.
- Uscire dal menu di configurazione.

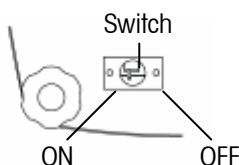


Figura 5-1. Impostazioni dell'interruttore di sicurezza

5.2 Verifica

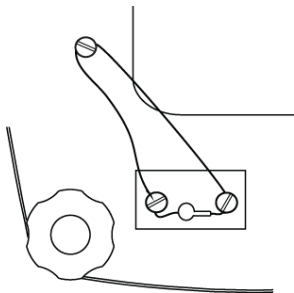
Le procedure di verifica devono essere eseguite da un responsabile delle normative di peso e misure locali o da un assistente autorizzato.

5.3 Sigillo

Per evitare alterazioni delle impostazioni il responsabile delle normative di peso e misure locali o un assistente autorizzato devono applicare un sigillo di sicurezza. Per i metodi di sigillatura, fare riferimento alle illustrazioni in basso.

Sigillo a filo

Rimuovere i distanziatori sotto le viti.
Reinstallare le viti e far passare il filo attraverso i fori.



Sigillo di carta

Posizionare il sigillo di carta sulle viti e sui distanziatori per la sigillatura.

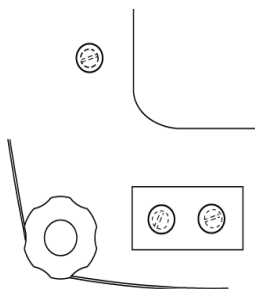


Figura 5-2. Metodi di sigillatura.

6, MANUTENZIONE

6,1 Individuazione guasti

La tabella seguente elenca alcuni problemi comuni, le loro cause possibili e le varie soluzioni, Se il problema persiste, contattare Ohaus o un rivenditore autorizzato,

TABELLA 6-1, INDIVIDUAZIONE GUASTI,

Sintomo	Causa possibile	Soluzione
Impossibile accendere la bilancia	Bilancia non alimentata	Verificare connessioni e tensione
Scarsa precisione	Taratura impropria • Ambiente non stabile,	Eseguire taratura • Spostare la bilancia in una posizione adatta
Impossibile tarare la bilancia	Ambiente non stabile • Peso di taratura non corretto	Spostare la bilancia in una posizione adatta • Utilizzare un peso di taratura corretto
Impossibile accedere alla modalità	Modalità non abilitata	Accedere al menu e abilitare la modalità
Impossibile accedere all'unità di misura	Unità non abilitata	Accedere al menu e abilitare l'unità
Err 8,1	Vassoio carico durante l'accensione	Rimuovere il peso dal vassoio e azzerare nuovamente
Err 8,2	Rimozione del vassoio prima dell'accensione	Posizionare il vassoio e azzerare nuovamente
OVER (SUPERIORE)	Peso sul vassoio che supera la capacità	Rimuovere il peso dal vassoio
UNDER (INFERIORE)	Rimozione del vassoio durante l'operazione di pesa	Riposizionare il vassoio
Err 9	Dati di taratura di fabbrica danneggiati	Contattare la Ohaus o l'assistenza tecnica autorizzata • Eseguire la taratura di manutenzione
REF Err	Peso di riferimento troppo piccolo	Utilizzare un campione più grande
LOWrEF	Peso di riferimento troppo basso per una pesa percentuale precisa	Continuare a pesare con risultati meno precisi

6,2 Informazioni relative all'assistenza

Se la sezione Individuazione guasti o se l'elenco dei codici d'errore non risolve o non descrive il problema incontrato, contattare l'assistenza tecnica autorizzata Ohaus, Per l'assistenza negli Stati Uniti, chiamare il numero verde USA 1-800-526-0659 tra le 8,00 e le 17,00 EST (ora della costa orientale degli Stati Uniti), Il personale specializzato addetto alla manutenzione sarà disponibile per l'assistenza, Fuori dagli Stati Uniti, consultare il nostro sito Web, www.ohaus.com, per individuare l'ufficio Ohaus più vicino,

7, DATI TECNICI

I dati tecnici sono validi in presenza delle seguenti condizioni ambientali:

Temperatura ambiente: da 0 °C a 40 °C

Umidità relativa: dal 10% al 95% di umidità relativa, senza condensa

Altitudine dal livello del mare: fino a 4000 m

L'operabilità viene assicurata a temperature ambiente comprese tra 0 °C e 40 °C

Alimentazione

Adattatore CA, uscita 9 VCC @ 1.2A max

Protezione

Resistente alla polvere e all'acqua

Grado di inquinamento: 2

Categoria d'installazione: Classe III

EMC: fare riferimento alla dichiarazione di conformità

7,1 Specifiche tecniche

TABELLA 7-1, SPECIFICHE,

Modello	V31XH202	V31XH402	V31XH2	V31XH4	V31X501
Capacità	200	400	2000	4000	500
Ripetibilità (g)	0,01		0,1		
Linearità (g) (+/-)	±0,01		±0,1		
Classe	-				
Protezione ingressi:	-				
Unità di pesa	g, kg, libbra, oncia, libbra:onzia				
Modalità d'applicazione	Pesa, Pesa percentuale, Densità relativa, Once liquide				
Gamma della tara	A capacità per sottrazione				
Tempo di stabilizzazione	≤3 secondi				
Requisiti di alimentazione	Adattatore CA 9 VCC @ 1.2A max (incluso) o 4 batterie a C (LR14) (non incluse)				
Taratura	Digitale con peso esterno				
Tipo di display	LCD con LED bianco retroilluminato, a sei cifre, sette segmenti				
Dimensioni del display:	cifre da 15 mm / 0,6 pollici				
Tastierino	mascherina a tre pulsanti				
Dimensioni del vassoio (mm / ")	120 / 4,7		146 x 158 / 5,7 x 6,2		120 / 4,7
Peso netto (kg / libbra)	1,2 / 2,6		1,3 / 2,9		1,2 / 2,6
Peso di spedizione (kg / libbra)	2,0 / 4,3		2,1 / 4,6		2,0 / 4,3

TABELLA 7-1, SPECIFICHE,

Modello	V31X3	V31X6	V31XW301	V31XW3/ V31X3N	V31XW6/ V31X6N
Capacità	3000	6000	300	3000	6000
Ripetibilità (g)	1		0,2	1	2
Linearità (g) (+/-)	±1		±0,2	±1	±2
Classe	-		III		
Protezione ingressi:	-		IP65 / *		
Unità di pesa	g, kg, libbra, oncia, libbra:onzia				
Modalità d'applicazione	Pesa, Pesa percentuale, Densità relativa, Once liquide				
Gamma della tara	A capacità per sottrazione				
Tempo di stabilizzazione	≤3 secondi				
Requisiti di alimentazione	Adattatore CA 9 VCC @ 1.2A max (incluso) o 4 batterie a C (LR14) (non incluse)				
Taratura	Digitale con peso esterno				
Tipo di display	LCD con LED bianco retroilluminato, a sei cifre, sette segmenti				
Dimensioni del display:	cifre da 15 mm / 0,6 pollici				
Tastierino	mascherina a tre pulsanti				
Dimensioni del vassoio (mm / ")	146 x 158 / 5,7 x 6,2				
Peso netto (kg / libbra)	1,3 / 2,9		1,4 / 3,1		
Peso di spedizione (kg / libbra)	2,1 / 4,6		2,2 / 4,8		

* I modelli V31X3N e V31X6N non sono certificati IP65.

7,2, Capacità e Leggibilità

TABELLA 7-2, CAPACITÀ E LEGGIBILITÀ,

UNITÀ	SICUREZZA SWITCH	MODELLI				
		V31XH202	V31XH402	V31XH2	V31XH4	V31XH501
g	ON	NA	NA	NA	NA	NA
	OFF	200,00 x 0,01	400,00 x 0,01	2000,0 x 0,1	4000,0 x 0,1	500,0 x 0,1
kg	ON	NA	NA	NA	NA	NA
	OFF	0,20000 x 0,00001	0,40000 x 0,00001	2,0000 x 0,0001	4,0000 x 0,0001	0,5000 x 0,0001
oz	ON	NA	NA	NA	NA	NA
	OFF	7,0550 x 0,0005	14,1095 x 0,0005	70,550 x 0,005	141,095 x 0,005	17,635 x 0,005
lb	ON	NA	NA	NA	NA	NA
	OFF	0,44090 x 0,00005	0,88185 x 0,00005	4,4090 x 0,0005	8,81850 x 0,0005	1,1025 x 0,0005
lb:oz	ON			NA	NA	NA
	OFF	NA	NA	4lb : 6,55 oz x 0,01 oz	8lb : 13,10 oz x 0,01 oz	1lb : 1,64 oz x 0,01 oz
oz (fra)	ON	NA	NA	NA	NA	NA
	OFF	7 x 1/8	14 1/8 x 1/8	70 1/2 x 1/8	141 1/8 x 1/8	17 5/8 x 1/8
lb: oz (fra)	ON			NA	NA	NA
	OFF	NA	NA	4lb : 6 1/2 oz x 1/8 oz	8lb : 13 1/8 x 1/8 oz	1lb : 1 5/8 oz x 1/8 oz
fl	ON	NA	NA	NA	NA	NA
	OFF	6,7630 x 0,0005	13,5255 x 0,0005	67,630 x 0,005	135,255 x 0,005	16,905 x 0,005

TABELLA 7-2, CAPACITÀ E LEGGIBILITÀ,

UNITÀ	SICUREZZA SWITCH	MODELLI				
		V31X3	V31X6	V31XW301	V31XW3 / V31X3N	V31XW6 / V31X6N
g	ON	ND	ND	300,0 x 0,2	3000 x 1	6000 x 2
	OFF	3000 x 1	6000 x 1	300,0 x 0,1	3000,0 x 0,5	6000 x 1
kg	ON	ND	ND	0,3000 x 0,0002	3,000 x 0,001	6,000 x 0,002
	OFF	3,000 x 0,001	6,000 x 0,001	0,3000 x 0,0001	3,0000 x 0,0005	6,000 x 0,001
oz	ON	ND	ND	10,58 x 0,01	105,80 x 0,05	211,6 x 0,1
	OFF	105,80 x 0,05	211,65 x 0,05	10,585 x 0,005	105,80 x 0,02	211,60 x 0,05
lb	ON	ND	ND	0,6615 x 0,0005	6,615 x 0,005	13,225 x 0,005
	OFF	6,615 x 0,005	13,230 x 0,005	0,6615 x 0,0005	6,615 x 0,002	13,225 x 0,005
lb:oz	ON	ND	ND	ND	6 lb : 9,80 oz x 0,05 oz	13 lb : 3,6 oz x 0,1 oz
	OFF	6 lb : 9,80 oz x 0,05 oz	13lb : 3,65 oz x 0,05 oz	ND	6 lb : 9,80 oz x 0,02 oz	13 lb : 3,60 oz x 0,05 oz
oz (fra)	ON	ND	ND	10 ½ x 1/8	105 ½ x 1/8	211 ½ x 1/8
	OFF	105 ½ x 1/8	211 ½ x 1/8	10 ½ x 1/8	105 ½ x 1/8	211 ½ x 1/8
lb: oz (fra)	ON	ND	ND	ND	6lb : 9 ½ oz x 1/8oz	13 lb : 3 ½ oz x 1/8oz
	OFF	6lb : 9 ½ oz x 1/8 oz	13 lb : 3 ½ oz x 1/8 oz	ND	6lb : 9 ½ oz x 1/8 oz	13 lb : 3 ½ oz x 1/8 oz
fl	ON	ND	ND	10,14 x 0,01	101,45 x 0,05	202,9 x 0,1
	OFF	101,45 x 0,05	202,90 x 0,05	10,140 x 0,005	101,44 x 0,02	202,90 x 0,05

7,3 Disegni tecnici

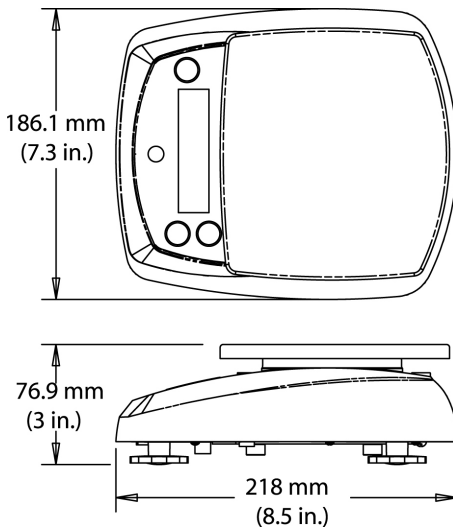


Figura 7-1, Tutti i modelli tranne V31XH202, V31XH402, V31X501

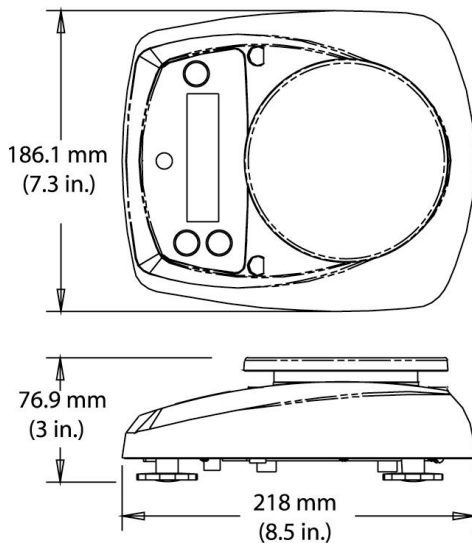


Figura 7-2, Modello V31XH202, V31XH402, V31X501

Accessories

Far scivolare gli accessori sulla parte posteriore del gruppo del vassoio e posizzarli come mostrato nelle illustrazioni che seguono.

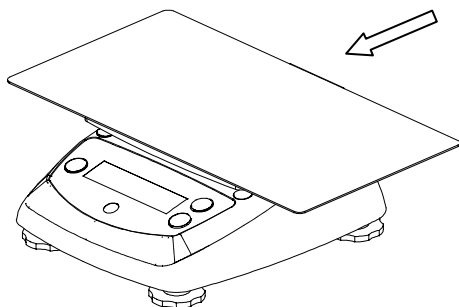


Figure 7-3. Vassoio per sandwich

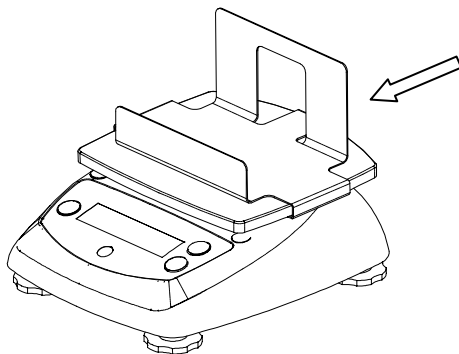


Figure 7-4. Contenitore per patatine fritte

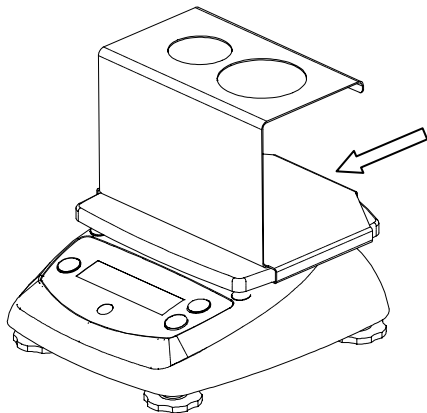






Figure 7-5. Supporto per cono gelato

7.4 Conformità

La conformità ai seguenti campioni è indicata dal contrassegno corrispondente sul prodotto.

Marchio	Standard
	Il prodotto è conforme alla Direttiva Compatibilità Elettromagnetica (EMC) 2004/108/EC, alla Direttiva Bassa Tensione 2006/95/EC e alla Direttiva per gli strumenti di pesa non automatici 90/384/CEE. La Dichiarazione di Conformità completa è disponibile presso Ohaus Corporation.
	AS/NZS4251.1, AS/NZS4252.1
	NSF/ANSI 169 – 2005
	NSF/ANSI /3-A 14159-1 - 2002

Nota importante per gli strumenti di pesa certificati



Gli strumenti di pesa certificati sul luogo di fabbricazione recano sull'etichetta della confezione uno dei marchi mostrati qui accanto e l'adesivo con la 'M' verde (metrologia) sulla targa descrittiva, Possono essere messi immediatamente in funzione,



Gli strumenti di pesa che devono essere certificati in due momenti non recano la 'M' verde (metrologia) sulla targa descrittiva, ma solo il marchio di identificazione mostrato qui accanto sull'etichetta della confezione, La seconda fase della certificazione iniziale deve essere condotta da un centro di assistenza approvato dal rappresentante autorizzato nell'ambito della CE o dalle autorità nazionali per i pesi e le misure,

La prima fase della certificazione iniziale è stata condotta presso gli stabilimenti di produzione, Durante questa fase vengono eseguiti tutti i test previsti dallo standard europeo adottato EN 45501:1992, paragrafo 8,2,2,

Se la normativa nazionale limita il periodo di validità della certificazione, l'utente dello strumento di pesa deve rigorosamente osservare il periodo di ulteriore certificazione e informare le rispettive autorità per i pesi e le misure,

Smaltimento

In conformità a quanto stabilito dalla Direttiva Europea 2002/96 CE in materia di apparecchi elettrici ed elettronici (RAEE), questo strumento non può essere smaltito come i normali rifiuti. Tale presupposto resta valido anche per i Paesi al di fuori dei confini della UE, conformemente alle norme nazionali in vigore,



Si prega quindi di smaltire questo prodotto separatamente e in modo specifico secondo le disposizioni locali relative alle apparecchiature elettriche ed elettroniche,

Per qualsiasi chiarimento, rivolgersi agli enti preposti o al rivenditore dell'apparecchiatura stessa,

In caso di cessione dello strumento (per es, per ulteriore utilizzo privato o aziendale/industriale), si prega di comunicare anche questa disposizione,

Si ringrazia per il contributo alla tutela dell'ambiente,

Per le istruzioni relative allo smaltimento in Europa, fare riferimento a www.ohaus.com/weee.

Registrazione ISO 9001

Nel 1994, Ohaus Corporation, USA, ha ricevuto il certificato di registrazione ISO 9001 da Bureau Veritas Quality International (BVQI), come conferma che il sistema di gestione della qualità Ohaus risponde alle caratteristiche standard di ISO 9001, Il 15 Maggio 2003, Ohaus Corporation, USA, è stata reregistrata per la normativa ISO 9001:2000,

GARANZIA LIMITATA

I prodotti Ohaus sono garantiti contro difetti nei materiali e nella lavorazione dalla data di consegna per tutta la durata del periodo di garanzia, Durante il periodo di garanzia Ohaus riparerà o, a sua scelta, sostituirà tutti i componenti che siano difettosi senza costo alcuno, purché il prodotto venga rinviato, con spese prepagate, alla Ohaus,

Questa garanzia non è valida se il prodotto è stato danneggiato o trattato con poca cura, esposto a materiali radioattivi o corrosivi, se vi siano penetrati materiali estranei o in seguito ad assistenza eseguita da personale non Ohaus, In assenza di una scheda di garanzia rinviata insieme al prodotto, il periodo di garanzia avrà inizio dal momento della spedizione del prodotto al rivenditore autorizzato, Non viene rilasciata nessun'altra garanzia espressa o implicita da parte della Ohaus Corporation, Ohaus Corporation non sarà responsabile per qualsiasi danno indiretto, Vista la diversità di normativa tra i vari Stati in termini di garanzia, contattare direttamente la Ohaus o il rivenditore locale Ohaus per ulteriori dettagli,



Ohaus Corporation
19A Chapin Road
P.O. Box 2033
Pine Brook, NJ 07058-2033, USA
Tel: (973) 377-9000
Fax: (973) 944-7177

With offices worldwide / Con oficinas alrededor del mundo / Avec des bureaux dans le monde entier / Weltweite Geschäftsstellen / Con uffici in tutto il mondo.

www.ohaus.com



* 8 0 2 5 1 2 2 7 *

P/N 80251227C © 2009 Ohaus Corporation, all rights reserved / todos los derechos reservados / tous droits réservés / Alle Rechte vorbehalten / tutti i diritti riservati.

Printed in China / Impreso en la China / Imprimé en Chine / Gedruckt in China / Stampato in Cina