

## Portable Bench Scales

# SA Series



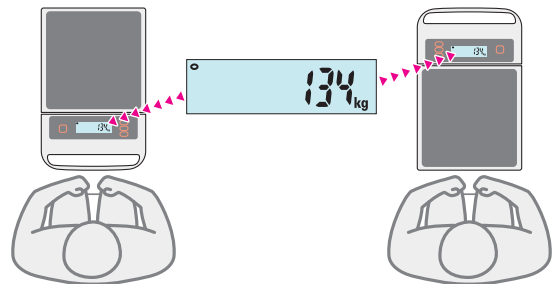
- One scale for both precise (0.001kg / 1g readability\*) and high capacity weighing
- Maximum flexibility - Suitable for almost any light to medium weighing application

\* Up to 3kg / 3000g (smart range)

**AND**  
A&D Australasia  
"Excellence in Measurement"  
[www.andweighing.com.au](http://www.andweighing.com.au)

## Features

- ✓ Easy to carry around and/or take aboard a vehicle to use at various locations
- ✓ Low profile (approx. 73 mm) that can be stored in narrow spaces or propped against a wall
- ✓ Four weighing ranges (readabilities) selectable depending on your required precision
- ✓ LCD display with backlight (24 mm character height), which is 180-degree reversible
- ✓ Display hold, buzzer, auto power ON/OFF functions
- ✓ Automatic zero setting mode that automatically performs tare and sets the display to zero once the weight value becomes stable\*<sup>ii</sup>
- ✓ Operation with either AC adapter (provided as standard) or four D batteries
- ✓ Data output to a PC, printer, etc., via RS-232C interface (optional)



180-degree reversible display

\*<sup>ii</sup> This is useful, for example, when taring your own body weight before measuring the weight of an animal by holding it (you don't have to crouch down to press the Re-Zero/AT key).



## Specifications

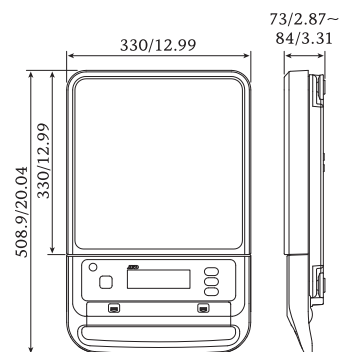
	SA-30K	SA-60K	SA-150K
Weighing capacity	30 kg	60 kg	150 kg
Minimum weighing value (selectable)	Range 1	0.1 kg	
	Range 2	0.01 kg	
	Range 3	0.001 kg (0 to 3 kg) / 0.01 kg (greater than 3 kg)*	
	Range 4	1 g (0 to 3000 g) / 0.01 kg (greater than 3 kg)*	
Repeatability (standard deviation)	2 g		
Linearity	±10 g	±20 g	±50 g
Sensitivity drift	±20 ppm / °C (5 °C to 35 °C / 41 °F to 95 °F)		
Display	7 segment LCD (character height: 24 mm) with white backlight 180° reversible display		
Display update	Approx. 10 times / second		
Operating temperature and humidity	-10 °C to 40 °C / 14 °F to 104 °F, 85% RH or less (no condensation)		
Power supply	AC adapter or 4 D batteries		
Battery life	Approx. 700 hours (with alkaline batteries, backlight off)		
Weighing pan size	330 x 330 mm / 12.99 x 12.99 in		
Weight	Approx. 6.3 kg / 13.89 lb		
Standard accessories	Instruction manual, AC adapter		

\* Smart range function: The minimum weighing value will switch to 0.01 kg automatically when the display value exceeds 3 kg/3000 g but returns to 0.001 kg/1 g by pressing the Re-Zero/AT (tare) key.

## Options

SA-03 RS-232C interface

## Dimensions (mm/inches)



ACN 26 007 556 809  
 Head Office  
 32 Dew Street  
 THEBARTON South Australia 5031  
 Telephone (08) 8301 8100  
 Facsimile (08) 8352 7409

Victorian Office  
 39 Bakehouse Road  
 KENSINGTON Victoria 3031  
 Telephone (03) 9371 1555  
 Facsimile (03) 9372 1193

New South Wales Office  
 Unit 4, 14 Abbott Road  
 SEVEN HILLS New South Wales 2147  
 Telephone (02) 9674 5466  
 Facsimile (02) 9674 2544

sales@andweighing.com.au  
 www.andweighing.com.au

Your Dealer