

*Analytical Semi-Micro Balances*

# GR

*Series*

High Performance of up to 0.01mg Semi-Micro Weighing  
Automatic Self-Calibration and Ergonomic Design

**GR-202**

210g x 0.1mg  
42g x 0.01mg

**GR-300**

310g x 0.1mg

**GR-200**

210g x 0.1mg

**GR-120**

120g x 0.1mg



**AND** ...Clearly a Better Value  
A&D Company, Limited  
<http://www.aandd.jp>

# Superb "New Generation"

## Speedy & Simple Operation to Maximize Performance

### Easy Access Door

A unique system allows the user to conveniently open or close the left or right side of the weighing chamber using a control lever. This system allows quick and efficient access to the weighing chamber.



Open left or right side from front

### One Touch Calibration

Allows quick calibration with one push of the CAL key.

### Automatic Adjustable Environment Setting

Adapts automatically to the most suitable Environment Response Setting to minimize adverse external effects. "FAST", "MID" or "SLOW" is displayed.



### Automatic Self Calibration

Performs self calibration automatically when a change of ambient temperature exceeds the preset temperature range.



### 13 Multiple Weighing Units

g, mg, pcs, %, oz, ozt, ct, mom, dwt, GN, tl, t (tola), m (messghal)

### Two Layer Housing

Durable construction minimizes negative effects of ambient temperature changes.

### Splash Proof Keyboard and Display

Protected from dust and spills.

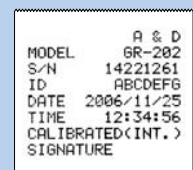
### Data Memory Function

Stores up to 200 sets of weighing data. Data can be output using numerical codes.



### GLP/GMP Compliant

Allows GLP or LIMS balance management by outputting the Balance ID number and weight used to calibrate the balance. The data can be output to A&D's AD-8121B printer or a computer, indicating date, time, Balance ID number and calibration weight.



# on" Analysis!



The GR Series has a 30% smaller footprint compared with conventional balances. Its tall weighing chamber can accommodate large beakers.



## Standard Underhook

Ideal for density measurement and weighing magnetic substances

## Standard RS-232C

Enables bi-directional communication with a PC or printer.

## Quick Reference Card

A fast and convenient operation guide.



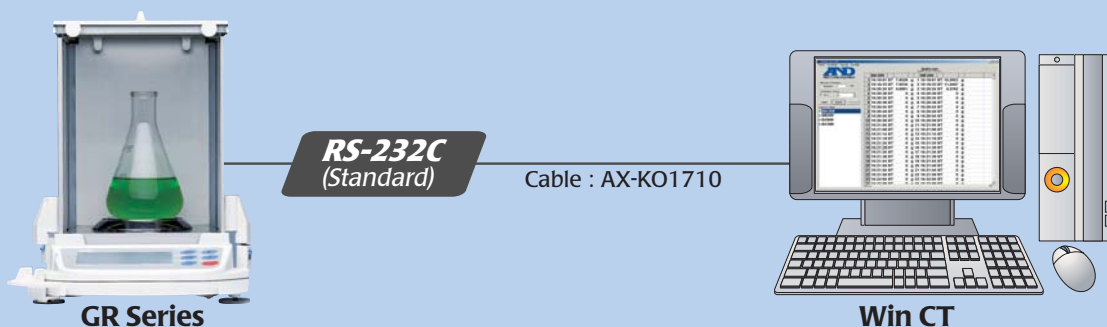
## WinCT—Window Communication Tools

WinCT is Windows Communication Tools Software, providing easy transmission of weighing data from A&D Balances to a PC using RS-232C interface.

Data can be transferred in a manageable format limited only by a PC's capability.

### WinCT consists of three applications:

- RsKey** allows weighing data to be directly pasted into a Windows application such as EXCEL or WORD, but this application cannot use "commands" to control the balance.
- RsCom** can transmit weighing data to a PC using a text file format and can transmit "commands" to control the balance. "Commands" include Calibrate, On/Off, Print, Query weight data, Re-zero, Range, Sample, Mode and Zero.
- RsWeight** can retrieve weighing data from a balance and display it in graph form on a PC screen in real-time. Maximum, minimum, average, standard deviation and coefficient of variation values of data can be calculated and displayed.



RsCom, RsKey and RsWeight offer user selectable time, date, sequential #, interval transmission and GLP/GMP data. A readme file contains all setup, operation & troubleshooting guides.

## Specifications

		GR-202	GR-300	GR-200	GR-120
Gram	(g)	210 x 0.0001 / 42 x 0.00001	310 x 0.0001	210 x 0.0001	120 x 0.0001
	(mg)	210000 x 0.1 / 42000 x 0.01	310000 x 0.1	210000 x 0.1	120000 x 0.1
Decimal Ounce (oz)		7.4 x 0.00001 / 1.4 x 0.000001	10 x 0.00001	7.4 x 0.00001	4.2 x 0.00001
Troy Ounce (ozt)		6.7 x 0.00001 / 1.3 x 0.000001	9.9 x 0.00001	6.7 x 0.00001	3.8 x 0.00001
Pennyweight (dwt)		135 x 0.0001 / 27 x 0.00001	199 x 0.0001	135 x 0.0001	77 x 0.0001
Carat (ct)		1050 x 0.001 / 210 x 0.0001	1550 x 0.001	1050 x 0.001	600 x 0.001
Momme (mom)		56 x 0.0001 / 11 x 0.00001	82 x 0.0001	56 x 0.0001	32 x 0.0001
Grain Unit (GN)		3240 x 0.002 / 648 x 0.0002	4784 x 0.002	3240 x 0.002	1851 x 0.002
Tola (t)		18 x 0.00001 / 3.6 x 0.000001	26 x 0.00001	18 x 0.00001	10 x 0.00001
Tael (TL)		5.5 x 0.00001 / 1.1 x 0.000001	8.2 x 0.00001	5.5 x 0.00001	3.1 x 0.00001
Percentage Min Div.		0.01%			
Counting Min Weight		0.1mg			
Linearity		±0.0002 / ±0.00003g	±0.0003g	±0.0002g	
Repeatability/Std. Dev.		0.0001 / 0.00002g	0.0002g	0.0001g	
Stabilization Time		3.5 / 8 seconds (typically)	3.5 seconds (typically)		
Sensitivity Drift		±2ppm / °C (10°C~30°C / 50°F~86°F)			
Display Refresh		5 times per second / 10 times per second			
Pan Size		Ø85mm / 3.3inches			
Physical Dimensions	mm	249 (W) x 330 (D) x 328 (H)			
	inches	9.8 (W) x 12.99 (D) x 12.91 (H)			
Breeze Break Dimensions	mm	178 (W) x 160 (D) x 233 (H)			
	inches	7.01 (W) x 6.5 (D) x 9.17 (H)			
Admissible Ambient Conditions		5°C~40°C / 41°F~104°F RH less than 85%			
Weight Approximately		6.0kg / 13.2lb			
Power		Approx. 11VA (supplied to the AC adapter)			
Standard Accessories		WinCT in CDRom, Manual, AC Adapter, Reference Card			

Specifications are subject to change for improvement without notice

## Accessories

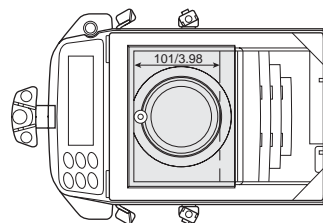
- AD-1653** Density Determination Kit
- AD-8121B** Compact Printer
- AD-1651** Vibratory Spoon
- AD-1682** Rechargeable Battery Unit
- AD-1683** Static Eliminator
- AD-8920** Remote Display
- AD-8922** Remote Controller
- AD-8526** RS/Ethernet Converter with WinCT-Plus
- AX-KO1710** RS-232C Cable (25P-9P)

## AD-1653 / Optional Density Determination Kit

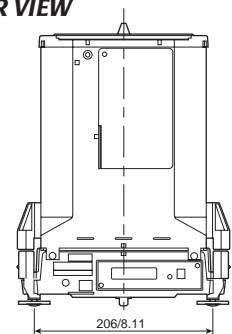


## GR Series Dimensions (mm / inches)

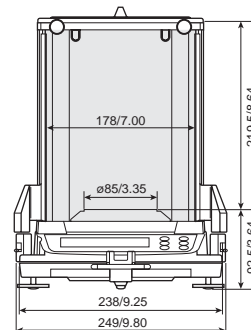
### TOP VIEW



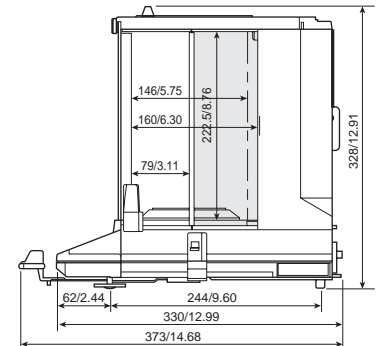
### REAR VIEW



### FRONT VIEW



### SIDE VIEW



**A&D** ...Clearly a Better Value

### A&D Company, Limited

3-23-14 Higashi-Ikebukuro, Toshima-ku, Tokyo 170-0013 JAPAN  
Telephone:[81](3) 5391-6132 Fax:[81](3) 5391-6148  
http://www.aandd.jp

### A&D ENGINEERING, INC.

1555 McCandless Drive, Milpitas, CA. 95035 U.S.A.  
Telephone:[1](408) 263-5333 Fax:[1](408) 263-0119

### A&D MERCURY PTY. LTD.

32 Dew Street, Thebarton, South Australia 5031 AUSTRALIA  
Telephone:[61](8) 8301-8100 Fax:[61](8) 8352-7409

### A&D INSTRUMENTS LTD.

Unit 24/26 Blacklands Way Abingdon Business Park,  
Abingdon, Oxon OX14 1DY United Kingdom  
Telephone:[44](1235) 550420 Fax:[44](1235) 550485

### <German Sales Office>

Große Straße 13 b 22926 Ahrensburg GERMANY  
Telephone:[49](0) 4102 459230 Fax:[49](0) 4102 459231

### A&D KOREA Limited

Manhattan Bldg. 8F, 36-2 Yoido-dong, Youngdeungpo-gu, Seoul, KOREA  
Telephone:[82](2) 780-4101 Fax:[82](2) 782-4280

### A&D RUS CO., LTD.

Korp. 134A, D.29, UL. Vereiskaya, Moscow, 121357  
RUSSIAN FEDERATION  
Telephone: [7] (495) 727-4455 Fax: [7] (495) 727-4456